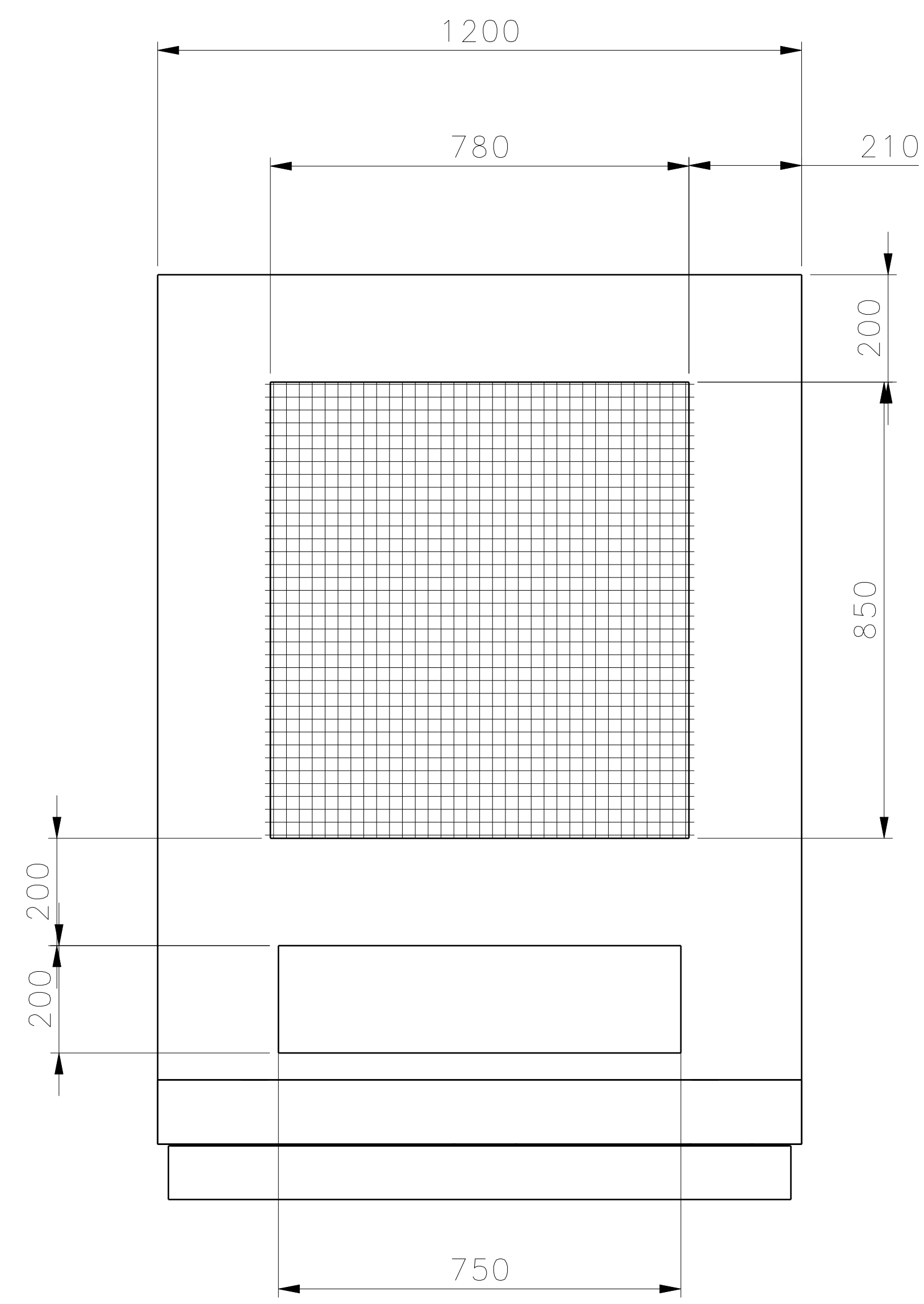
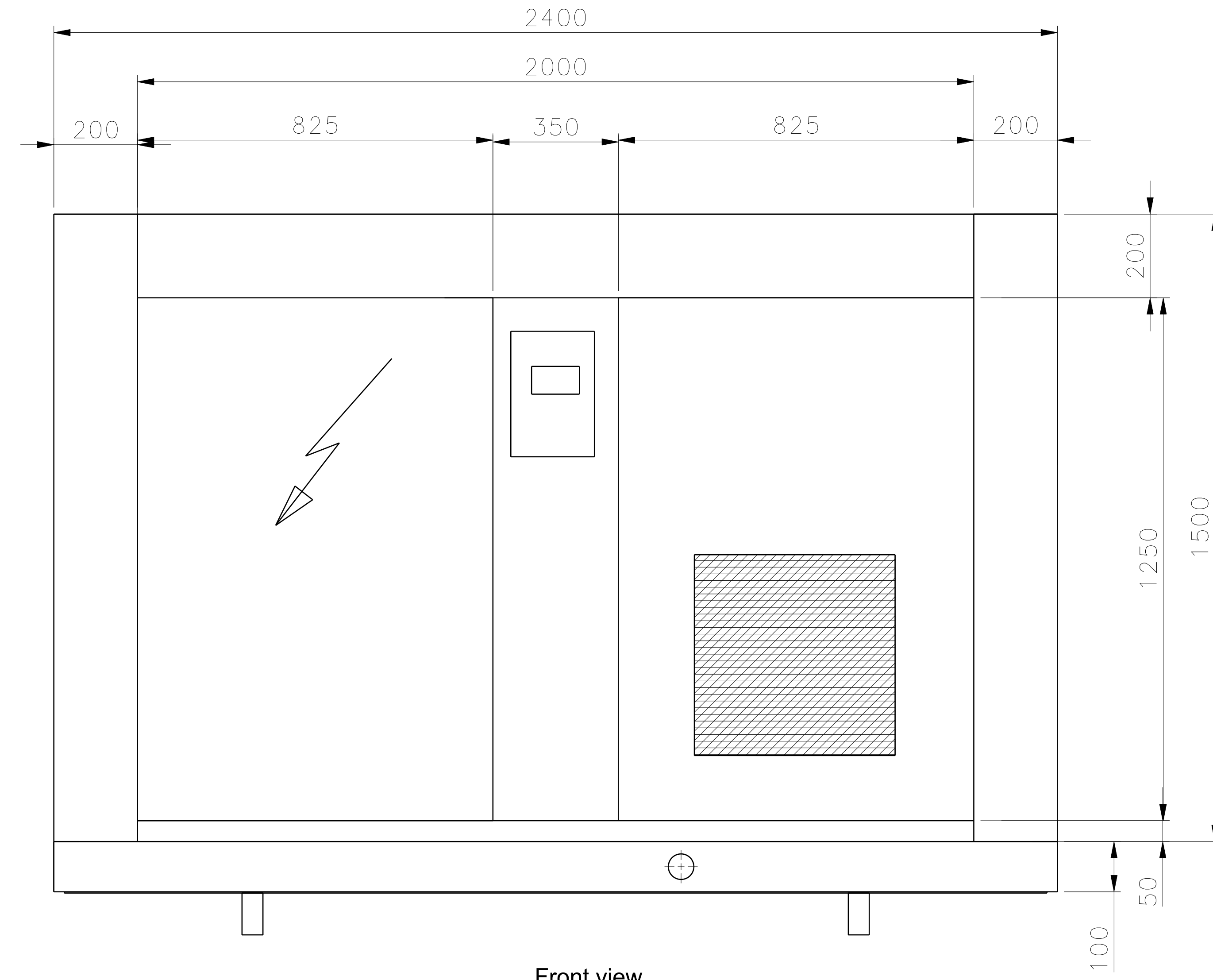


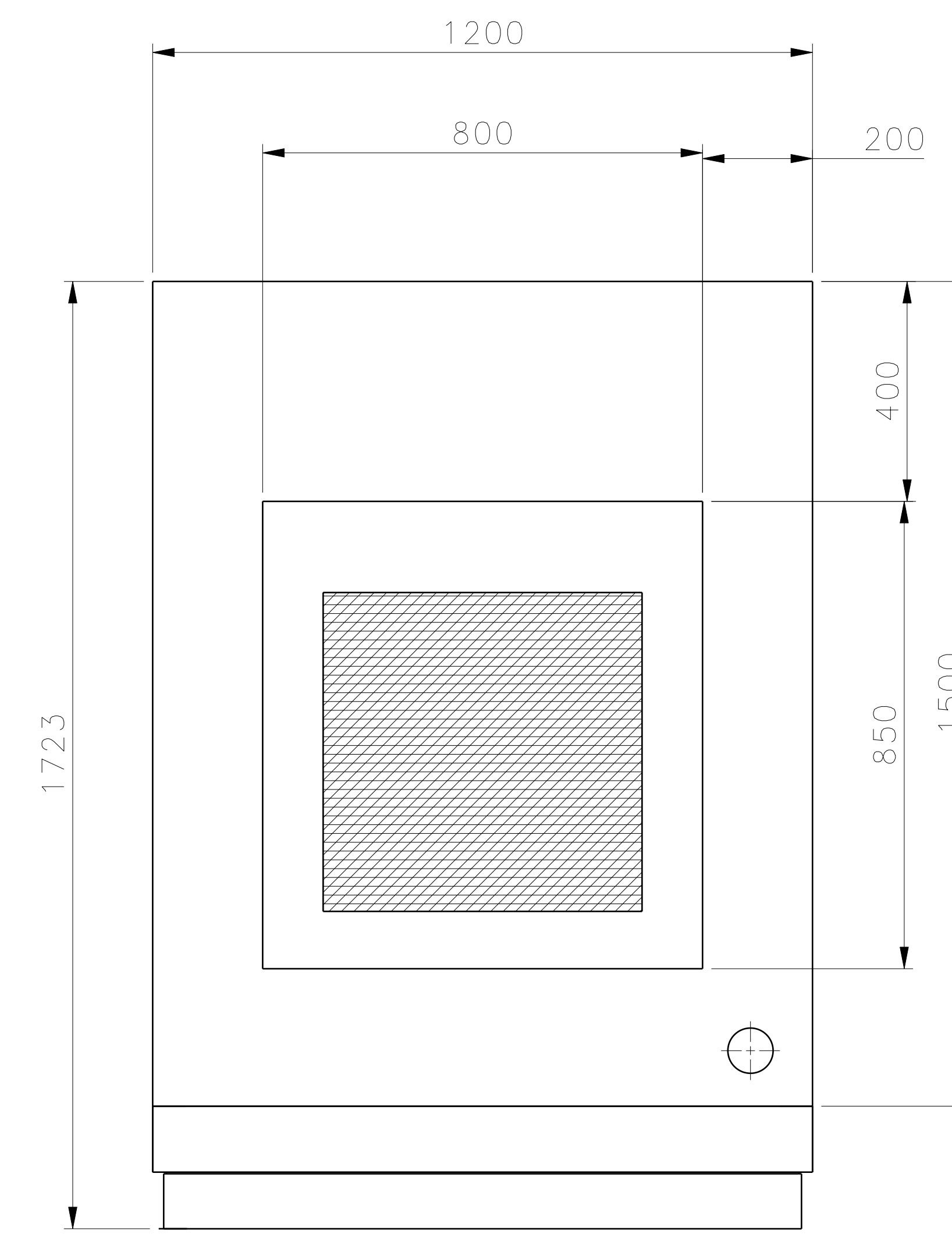
REV	TARİH	AÇIKLAMA	CİZEN	ONAY
A	21.09.10	ŞASE KALINLAŞTIRILDI	V.S.	R.O.



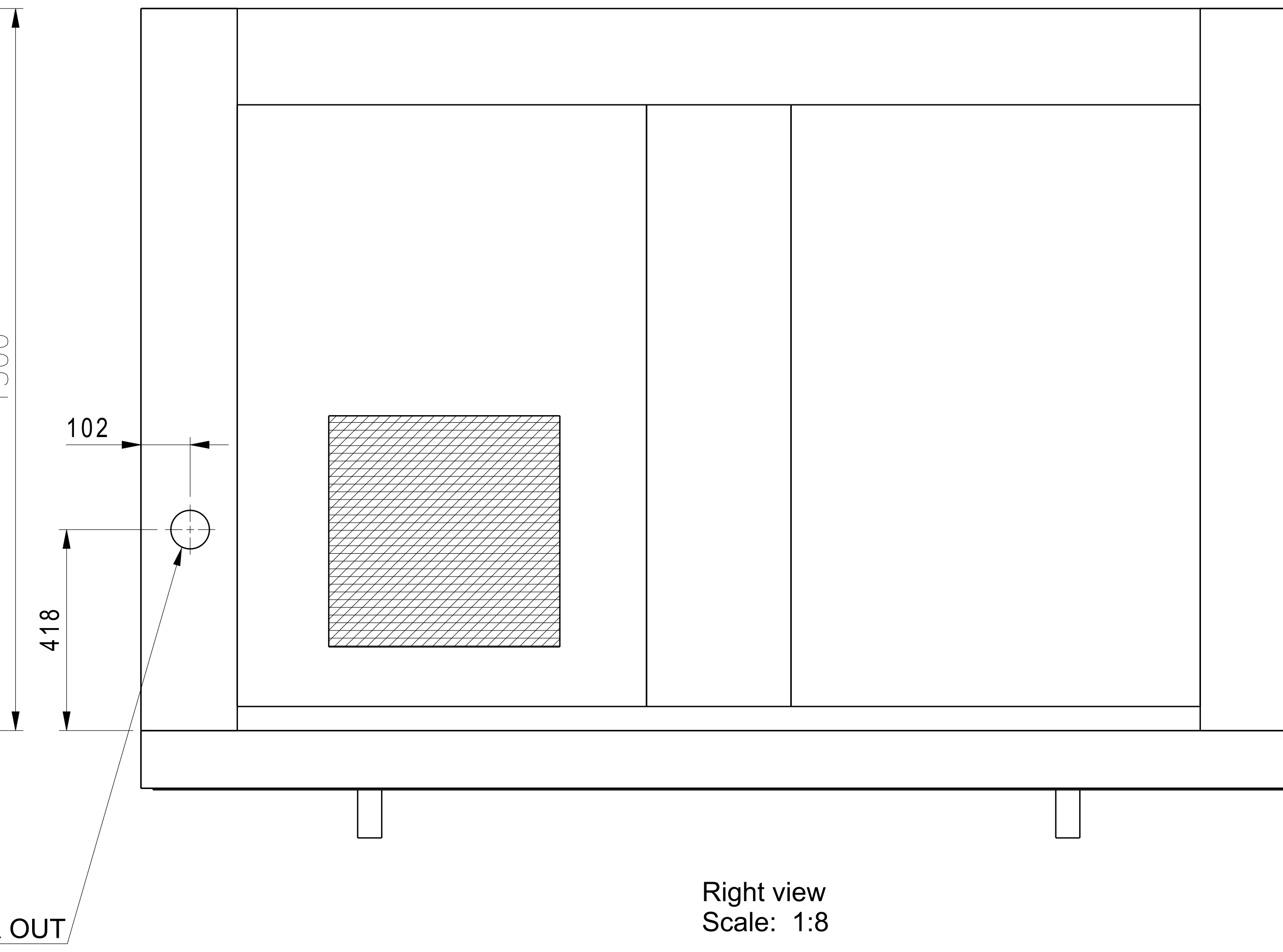
Right view  
Scale: 1:8



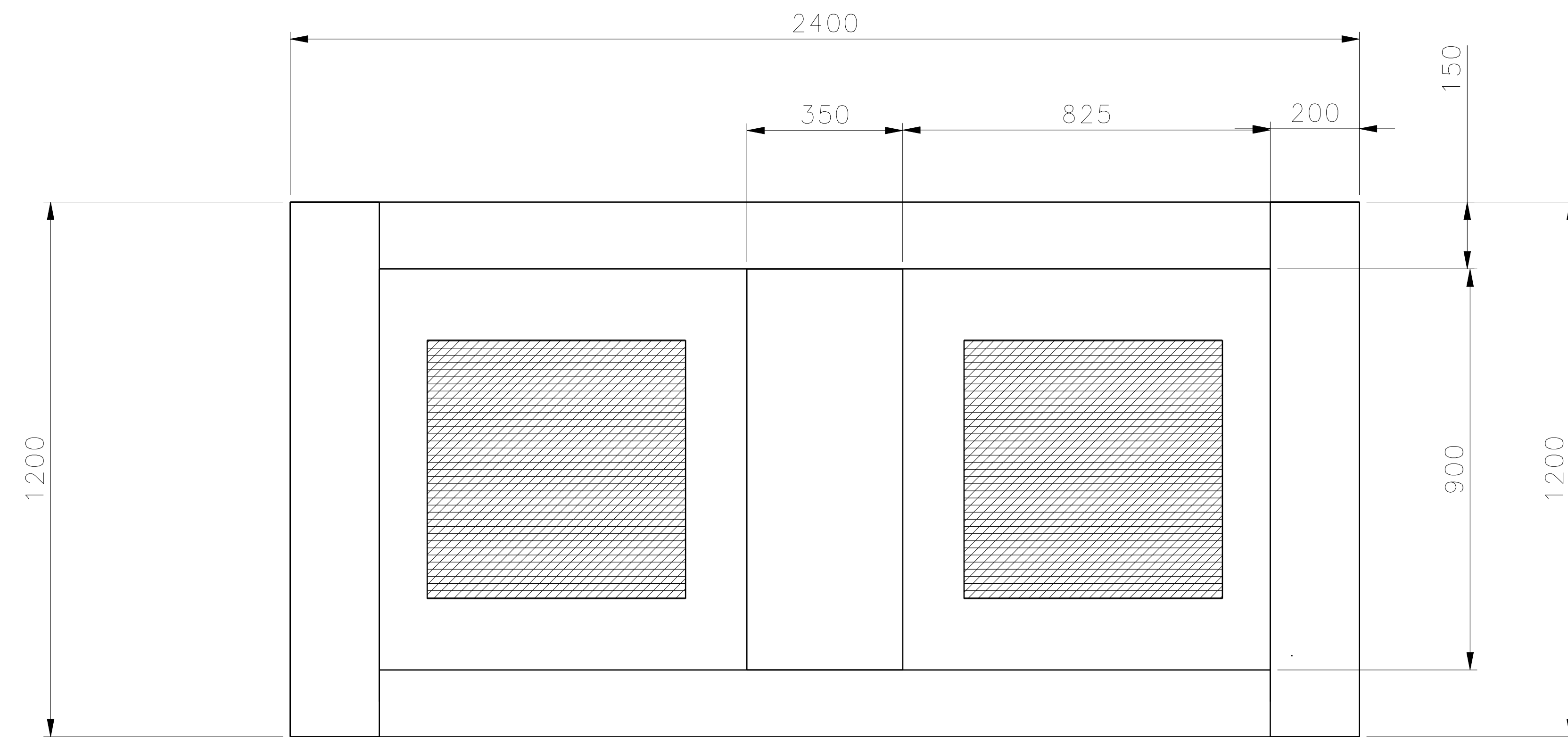
Front view  
Scale: 1:8



Left view  
Scale: 1:8



Right view  
Scale: 1:8



Top view  
Scale: 1:8

25.05.2021

ITEM NO.	QTY REQD	CODE IDENT	PART OR IDENTIFYING NO	NOMENCLATURE OR DESCRIPTION	MATERIAL	SPECIFICATION	ZONE
LIST OF MATERIALS OR PARTS LIST							
THIS DRAWING IS THE PROPERTY OF ANKARA HAMAK İND. AND IS TRANSMITTED IN CONFIDENCE. NEITHER RECEIPT NOR POSSESSION CONFERS OR TRANSFERS ANY RIGHT TO REPRODUCE, USE OR DISCLOSE, IN WHOLE OR PART, DATA CONTAINED HEREIN FOR ANY PURPOSE, WITHOUT THE WRITTEN PERMISSION OF ANKARA HAMAK İND.							
UNLESS OTHERWISE SPECIFIED DIMENSIONS ARE IN INCHES TOLERANCES ON				CONTRACT NUMBER			
FRACTIONS		DECIMALS		DATE OF DRAWING			
± .X ± .5		± .XX ± .25		11 JAN 2009			
± .XXX ±				DRAFTSMAN		CHECKER	
				V. SAKAL		I. KARAHAN	
				ENGINEER		FUNCTIONAL DESIGN	
				I. URKUT			
				MANUFACTURING		WELDING	
				VORTEX COMPRESSOR		APPROVED R. ÖKÇÜN	
NEXT ASSY		USED ON		CODE IDENT NO.		SIZE	
APPLICATION						A0	
						D0-0750-9001	
				SCALE		UNIT WT _____ LB SHEET OF	