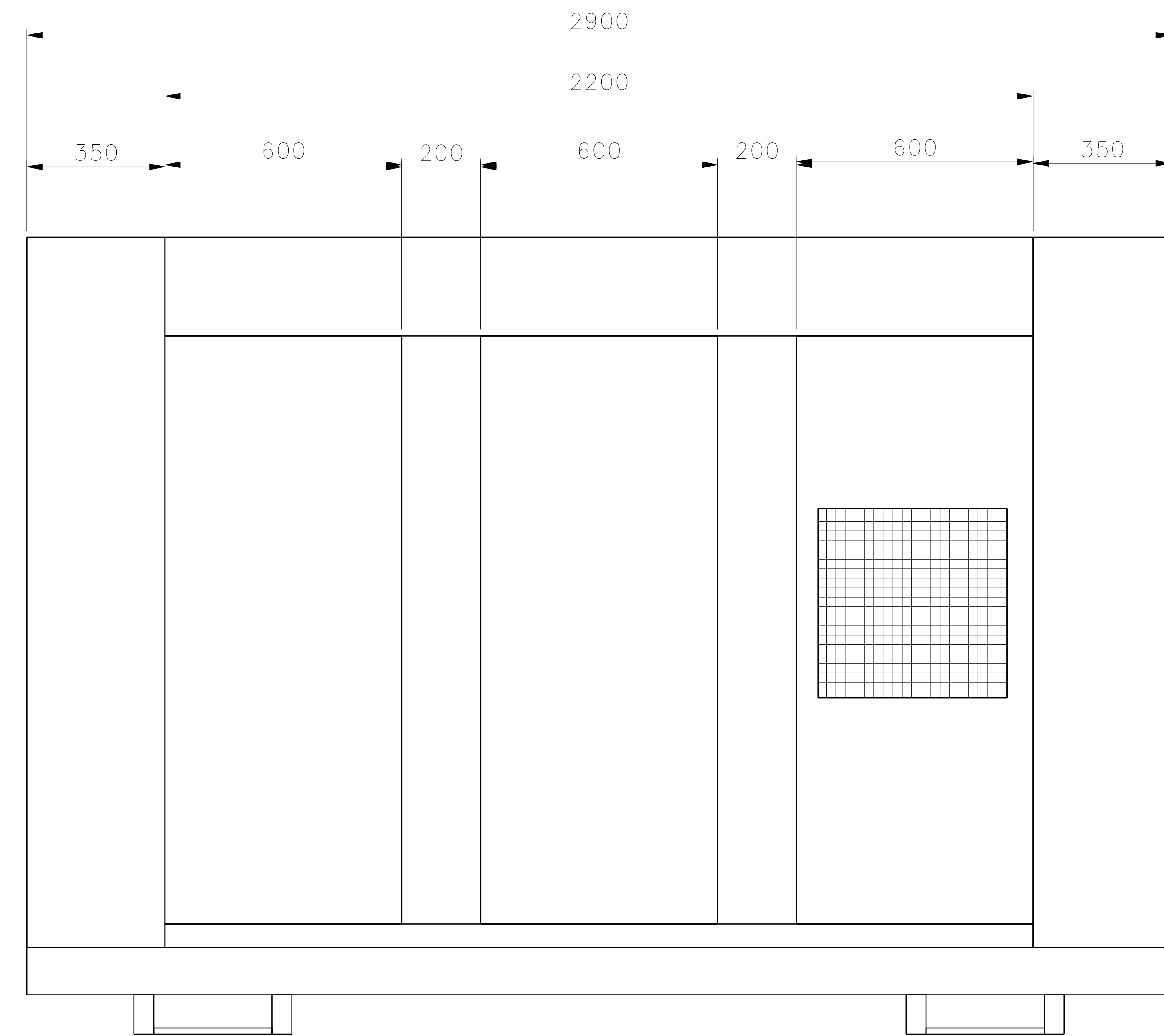
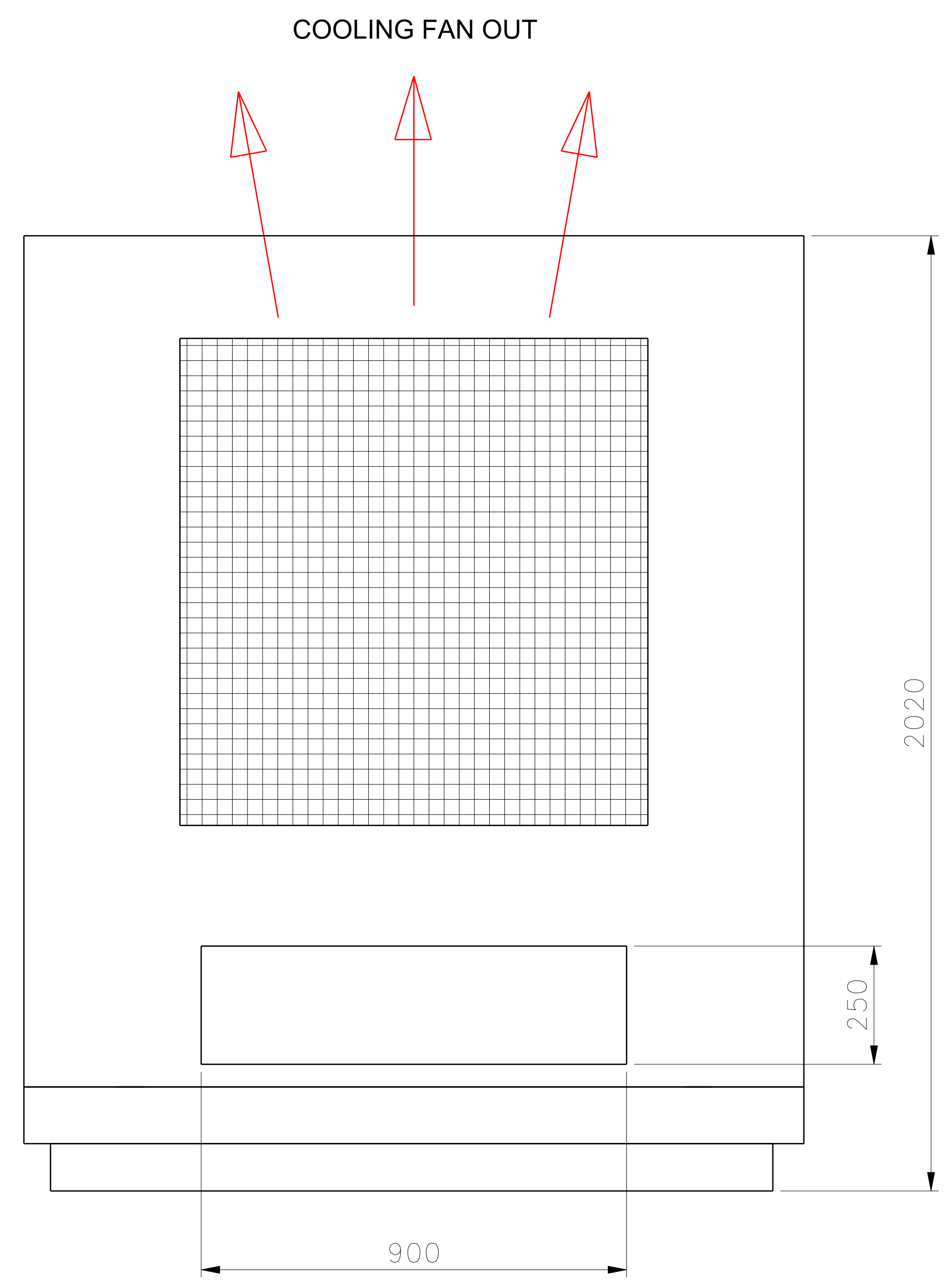
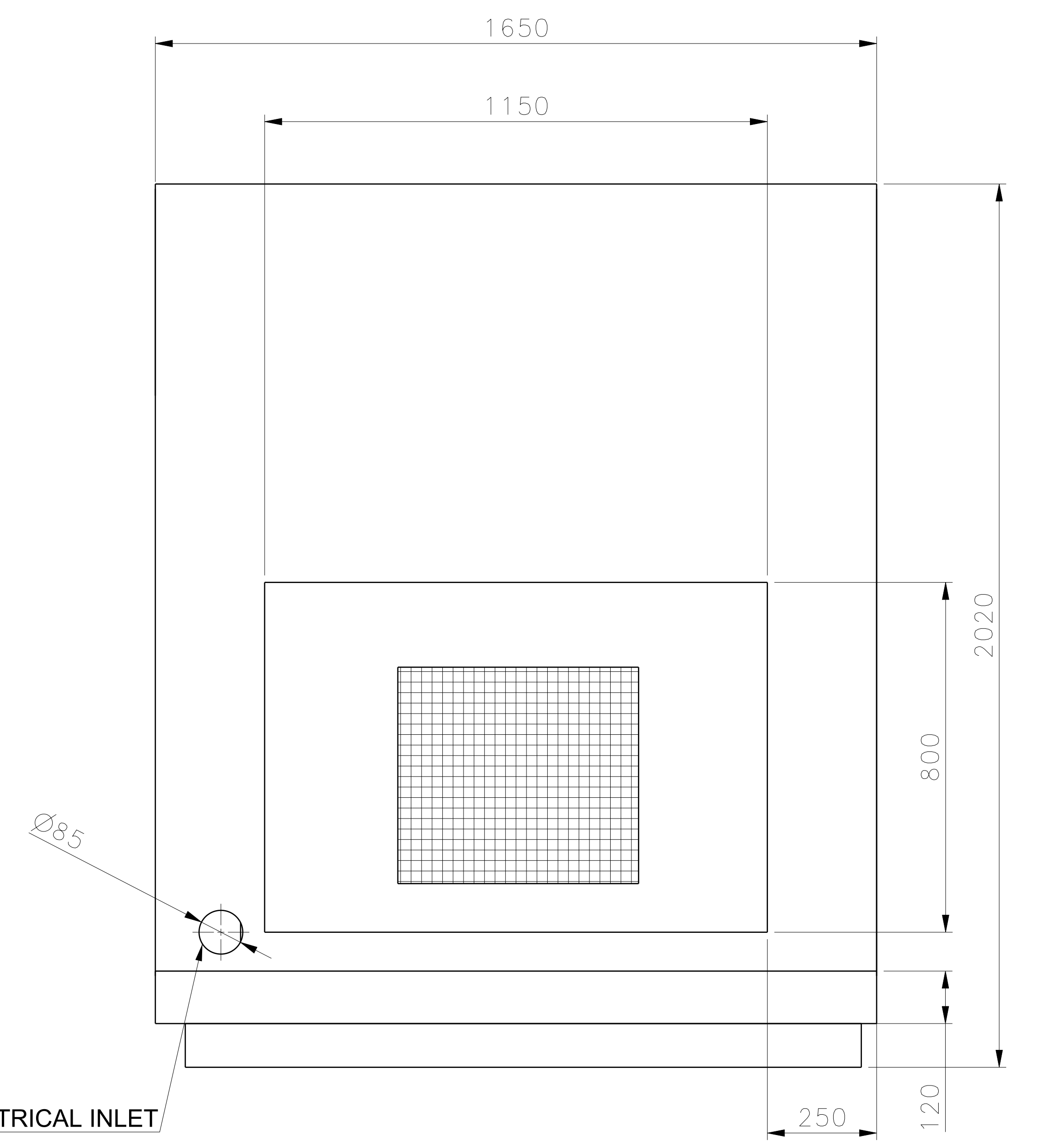


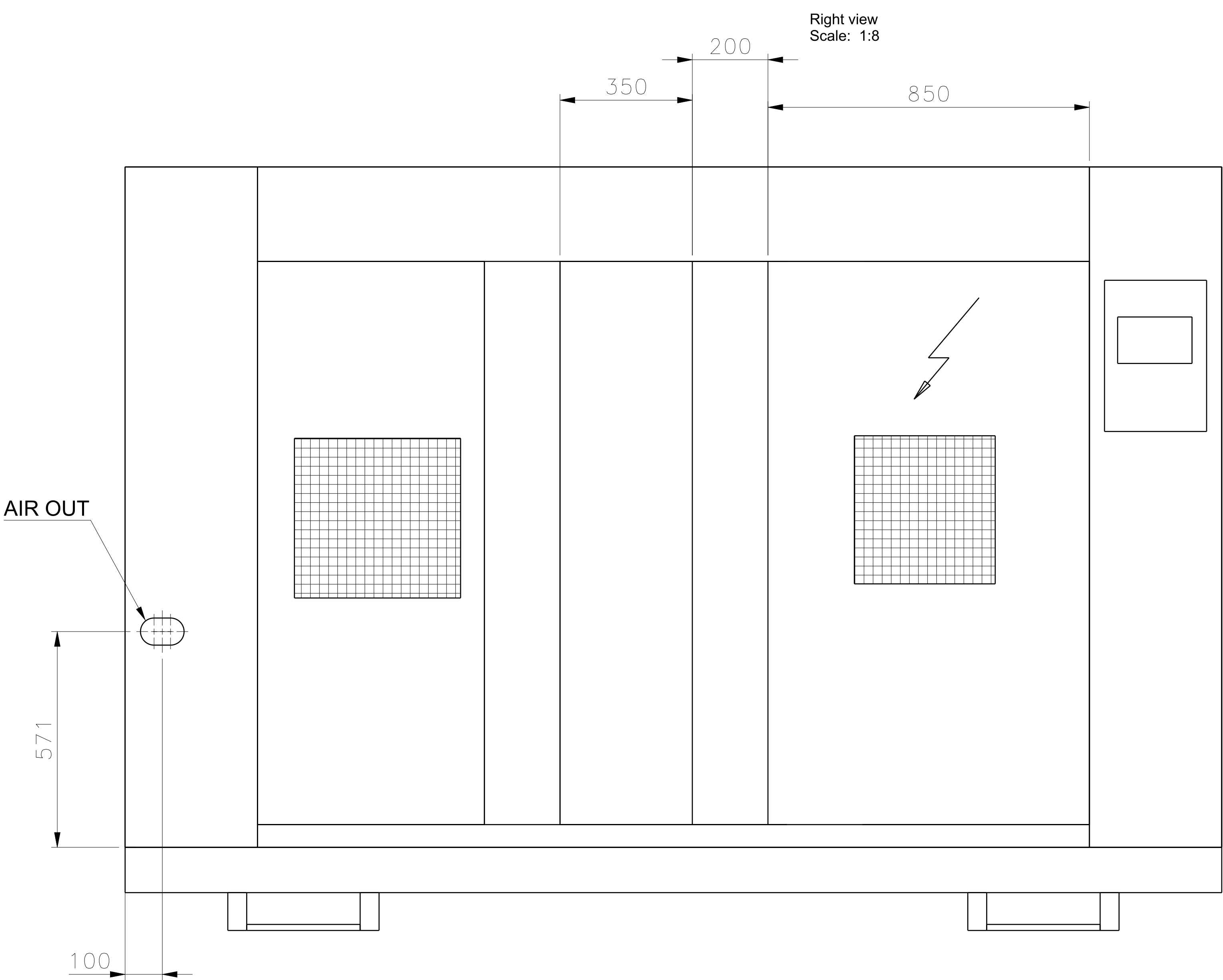
REV	TARİH	AÇIKLAMA	ÇİZEN	ONAY



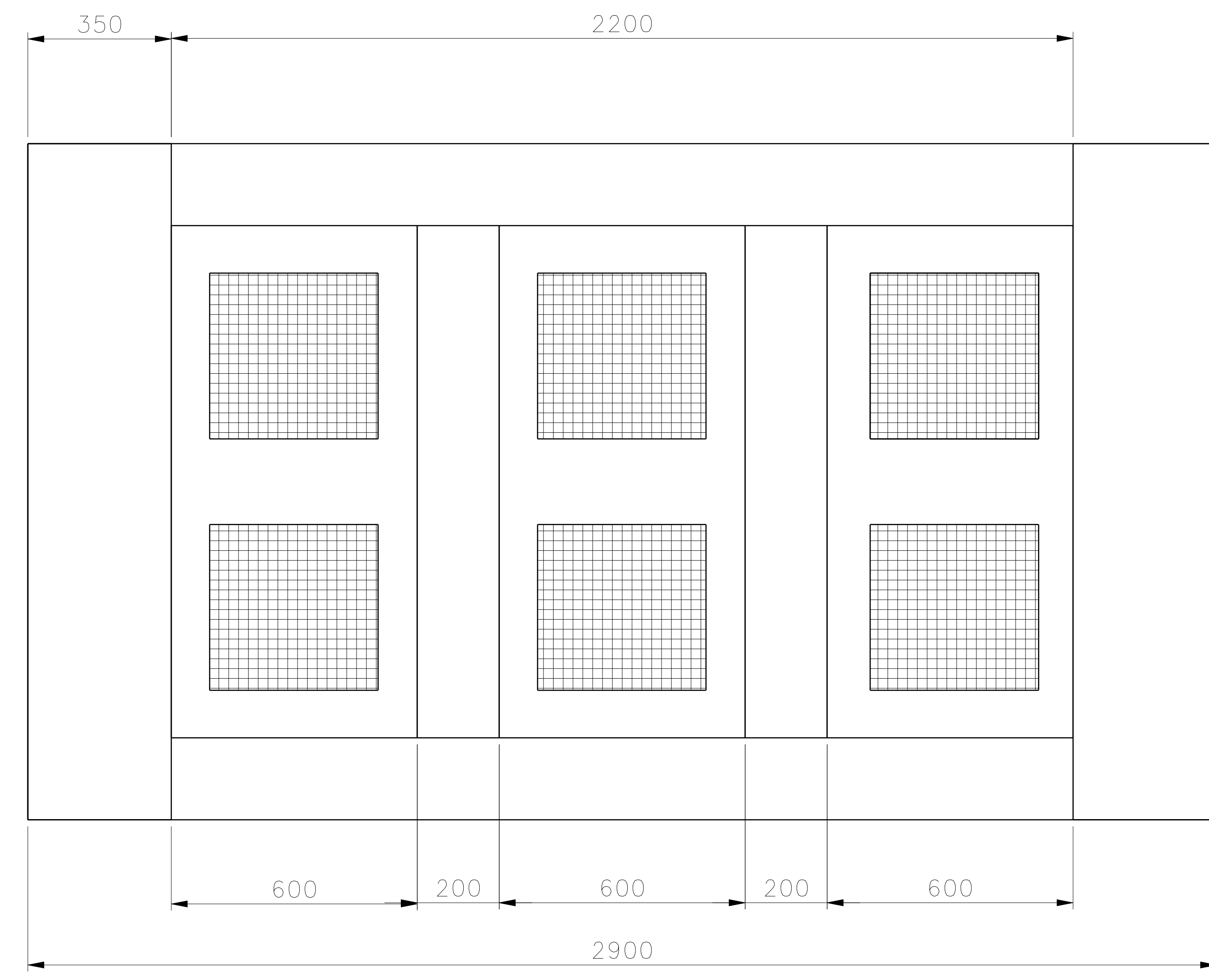
Front view  
Scale: 1:8



Left view  
Scale: 1:8



Rear view  
Scale: 1:8



Top view  
Scale: 1:8

25.05.2021

ITEM NO.	QTY REQD	CODE IDENT	PART OR IDENTIFYING NO.	NOMENCLATURE OR DESCRIPTION	MATERIAL	SPECIFICATION	ZONE
LIST OF MATERIALS OR PARTS LIST							
THIS DRAWING IS THE PROPERTY OF ANKARA HAMAK İND. AND IS TRANSMITTED IN CONFIDENCE. NEITHER RECEIPT NOR POSSESSION CONFERS OR TRANSFERS ANY RIGHTS TO REPRODUCE, USE OR DISCLOSE, IN WHOLE OR PART, DATA CONTAINED HEREIN FOR ANY PURPOSE, WITHOUT THE WRITTEN PERMISSION OF ANKARA HAMAK İND.							
UNLESS OTHERWISE SPECIFIED DIMENSIONS ARE IN INCHES TOLERANCES ON				CONTRACT NUMBER			
FRACTIONS DECIMALS				DATE OF DRAWING			
± .X ± .5				14 JAN 2016			
ANGLES .XX ± .25				DRAFTSMAN			
± 1" .XXX ±				M. SİMSEK			
				CHECKER			
				Y. SAKAL			
				ENGINEER			
				I. URKUT			
				FUNCTIONAL DESIGN			
				MANUFACTURING			
				WELDING			
				CODE IDENT NO.			
				ERS 132 COMPRESSOR			
				LAYOUT DIMENSIONS			
				SIZE			
				A0			
				DRAWING NO.			
				D0-1320-8505			
NEXT ASSY USED ON APPLICATION				APPROVED			
				R. ÖKÇÜN			
				SCALE			
				UNIT WT			
				LB			
				SHEET			
				OF			

