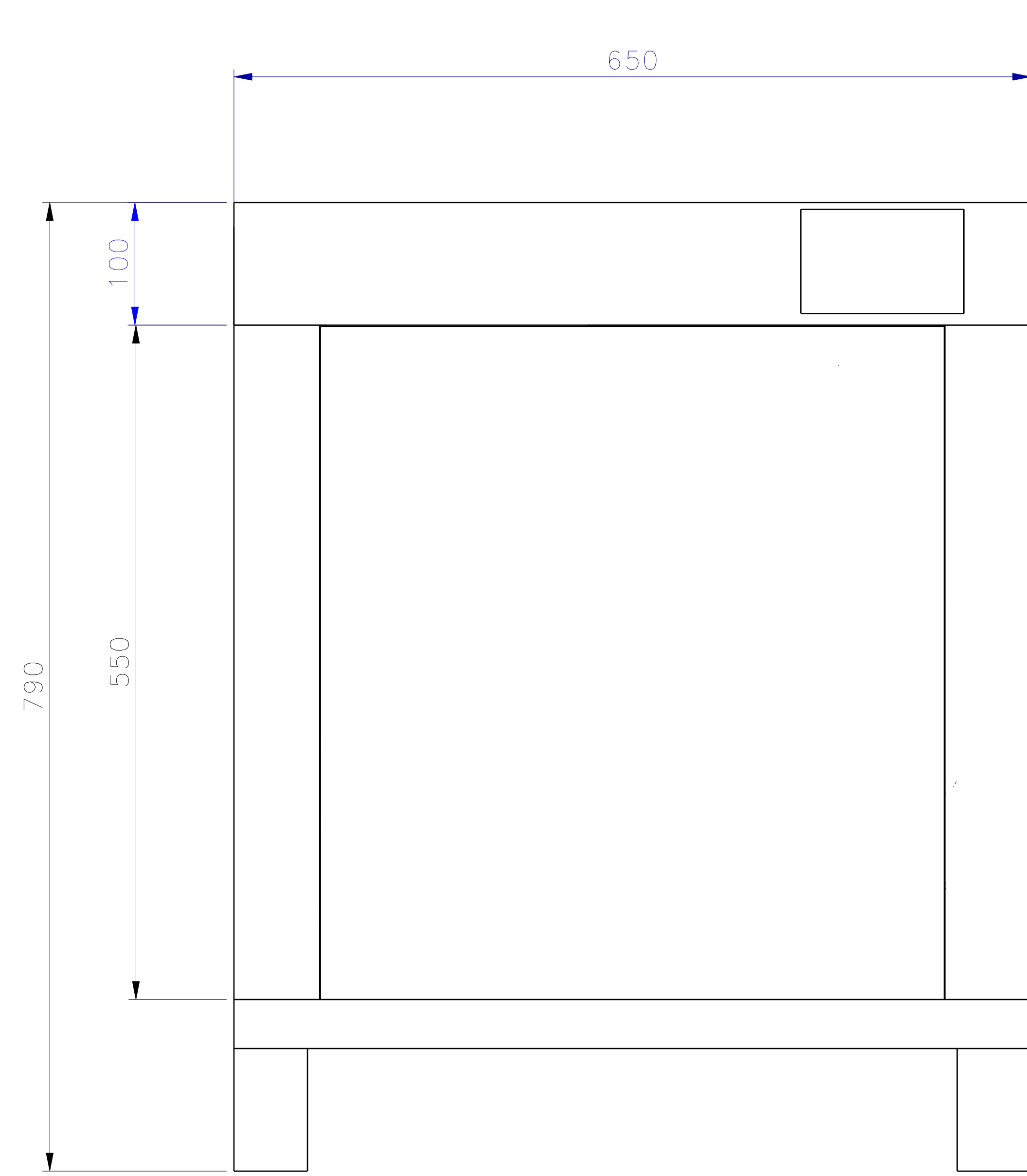
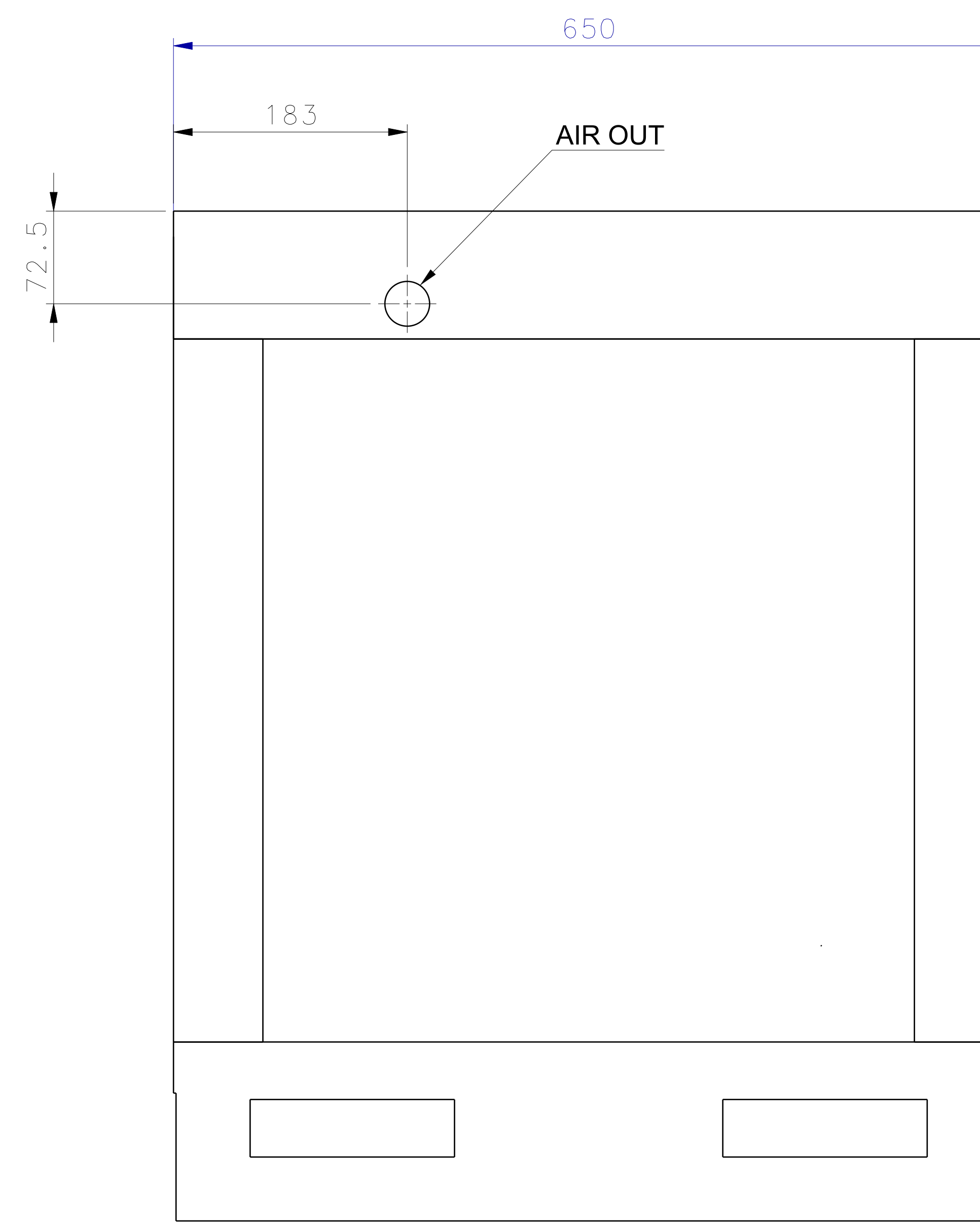


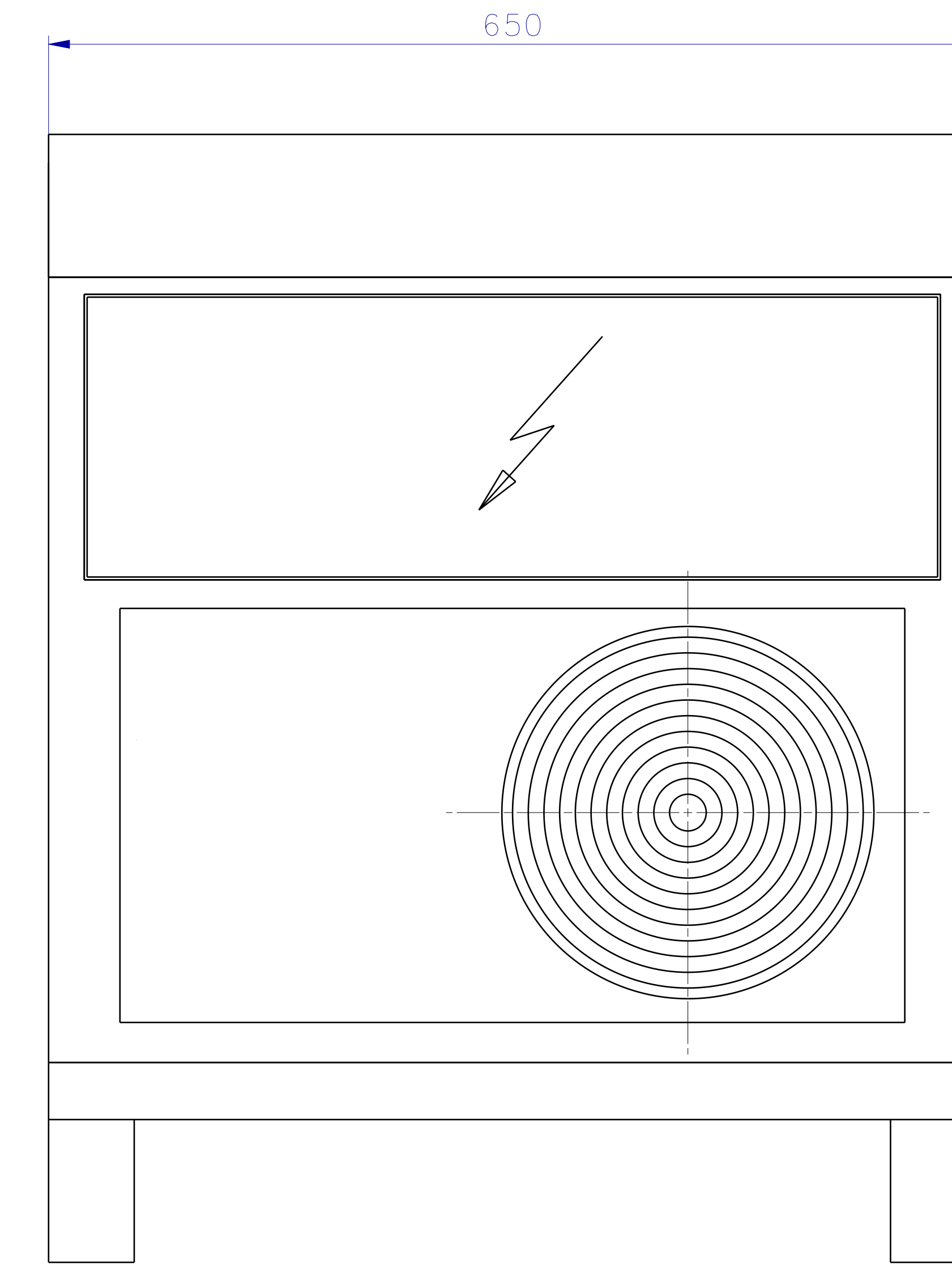
REV	DATE	DESCRIPTION	DRW	APP



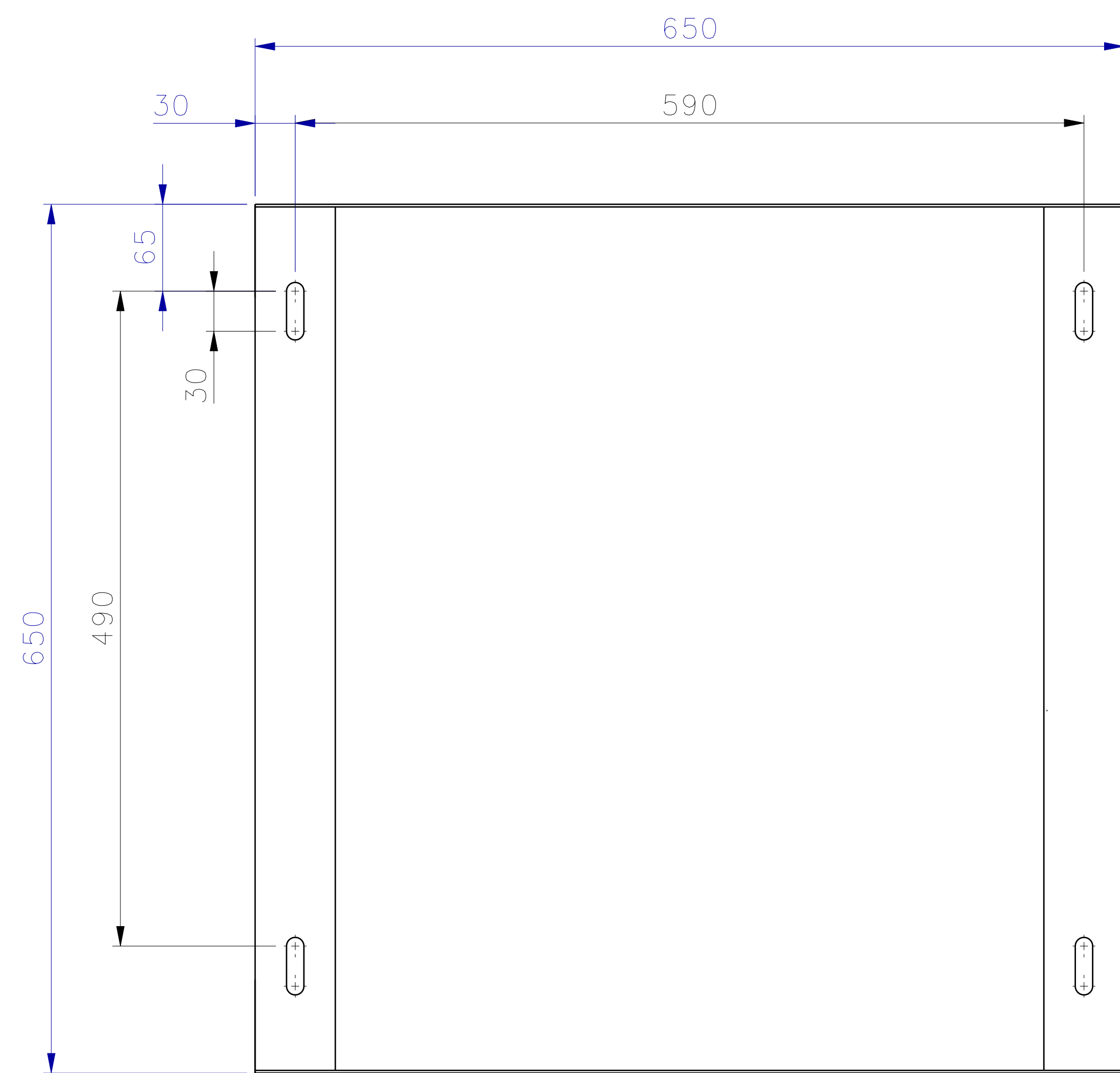
Front view
Scale: 1:3



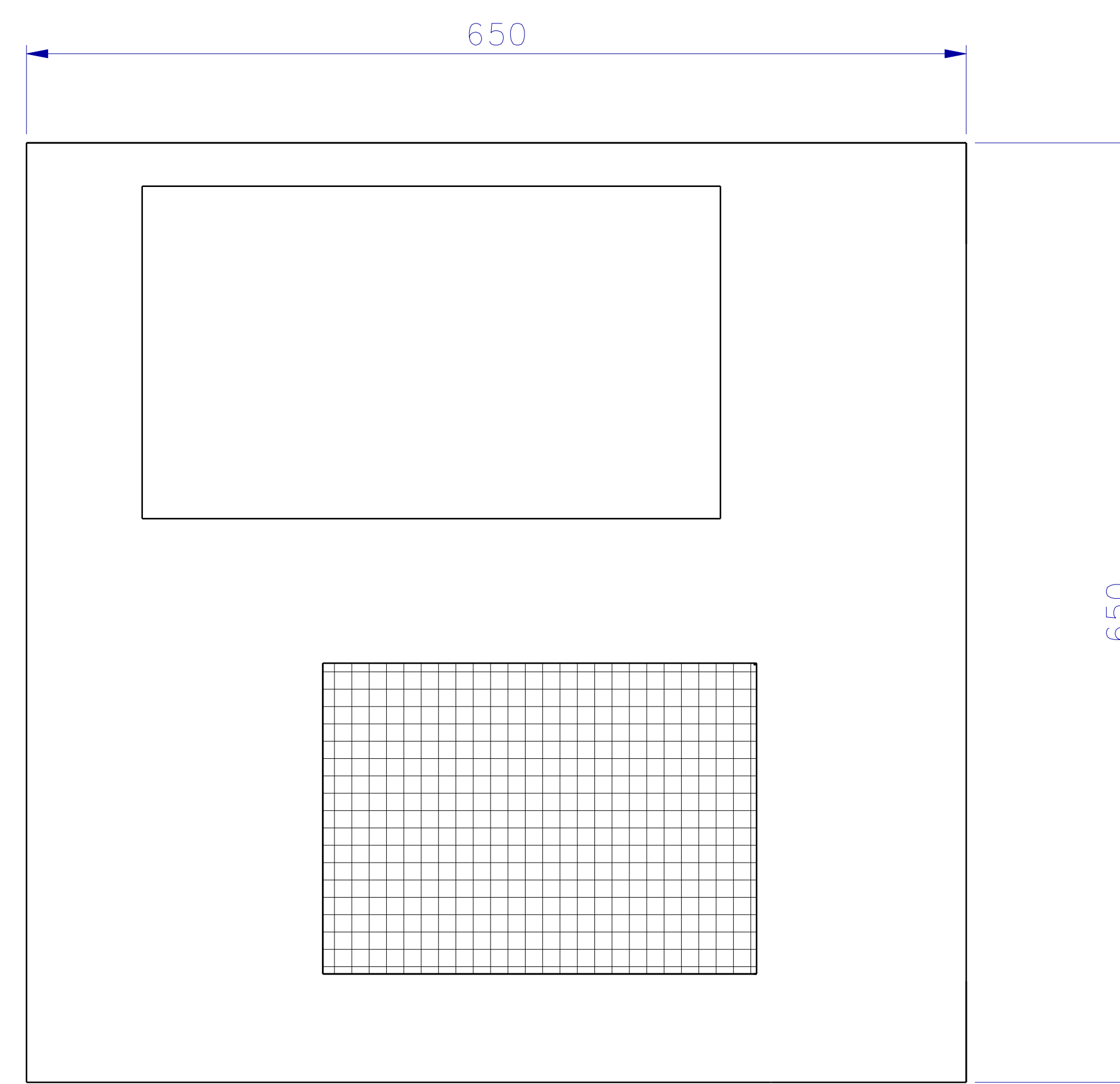
Left view
Scale: 1:3



Rear view
Scale: 1:3



Bottom view
Scale: 1:3



Auxiliary view A
Scale: 1:3

01.02.2023

ITEM NO.	QTY REQD	CODE IDENT	PART OR IDENTIFYING NO.	NOMENCLATURE OR DESCRIPTION	MATERIAL	SPECIFICATION	ZONE
LIST OF MATERIALS OR PARTS LIST							
THIS DRAWING IS THE PROPERTY OF ANKARA HAMAK IND. AND IS TRANSMITTED IN CONFIDENCE. NEITHER RECEIPT NOR POSSESSION CONFERS OR TRANSFERS ANY RIGHT TO REPRODUCE, USE OR DISCLOSE, IN WHOLE OR PART, DATA CONTAINED HEREIN FOR ANY PURPOSE, WITHOUT THE WRITTEN PERMISSION OF ANKARA HAMAK IND.							
UNLESS OTHERWISE SPECIFIED DIMENSIONS ARE IN INCHES TOLERANCES ON				CONTRACT NUMBER			
FRACTIONS		DECIMALS		DATE OF DRAWING			
±	—	.X	± .5	24.06.2020			
±	—	.XX	± .25	DRAFTSMAN		CHECKER	
±	—	.XXX	±	M. SİMSEK		Y. SAKAL	
ENGINEER				FUNCTIONAL DESIGN			
I. ÜRKÜT				CODE IDENT NO.			
MANUFACTURING				SIZE			
WELDING				A0			
DRAWING NO.				DU-0040-9200			
APPROVED				SCALE			
R. ÖKÇÜN				UNIT WT 130 KG SHEET OF			



MC 2,2- 4 COMPRESSOR
LAYOUT DIMENSIONS