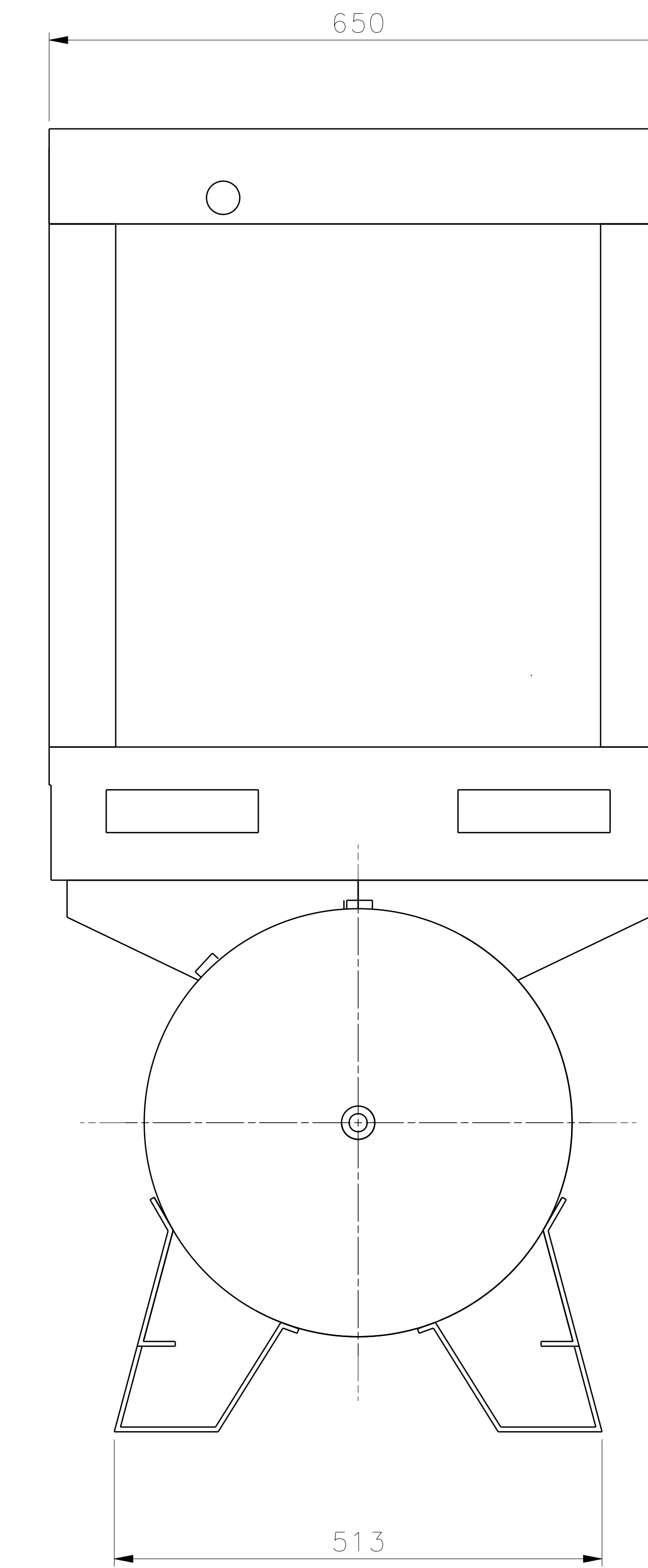
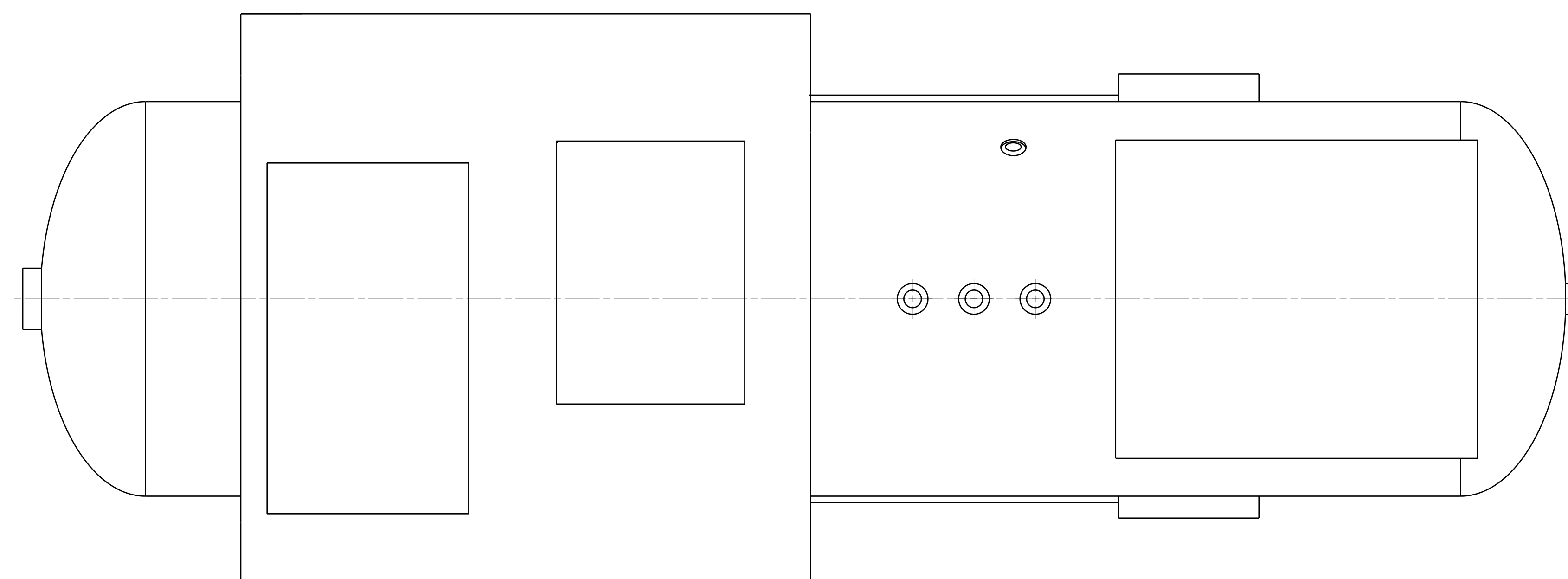


Bottom view
Scale: 1:4



Section view B-B
Scale: 1:4



Front view
Scale: 1:4

Auxiliary view A
Scale: 1:4

14.10.2021

ITEM NO.	QTY REQD	CODE IDENT	PART OR IDENTIFYING NO	NOMENCLATURE OR DESCRIPTION	MATERIAL	SPECIFICATION	ZONE
LIST OF MATERIALS OR PARTS LIST							
THIS DRAWING IS THE PROPERTY OF ANKARA HAMAK IND. AND IS TRANSMITTED IN CONFIDENCE. NEITHER RECEIPT NOR POSSESSION CONFERS OR TRANSFERS ANY RIGHT TO REPRODUCE, USE OR DISCLOSE, IN WHOLE OR PART, DATA CONTAINED HEREIN FOR ANY PURPOSE, WITHOUT THE WRITTEN PERMISSION OF ANKARA HAMAK IND.							
UNLESS OTHERWISE SPECIFIED DIMENSIONS ARE IN INCHES TOLERANCES ON				CONTRACT NUMBER			
FRACTIONS		DECIMALS		DATE OF DRAWING			
±	—	.X	± .5	14 JAN 2021			
±	—	.XX	± .25	DRAFTSMAN		CHECKER	
±	—	.XXX	±	M. SİMSEK		Y. SAKAL	
				ENGINEER		FUNCTIONAL DESIGN	
				I. ÜRKÜT			
				MANUFACTURING		WELDING	
				APPROVED		R. ÖKÇÜN	
NEXT ASSY		USED ON		APPROVED		R. ÖKÇÜN	
APPLICATION				SCALE		UNIT WT _____ LB SHEET OF	
				VORTEX COMPRESSOR			
				MCVD 4 270 LT HAVA TANKI			
				CODE IDENT NO.			
				SIZE A0		DRAWING NO. DU-0040-9600	