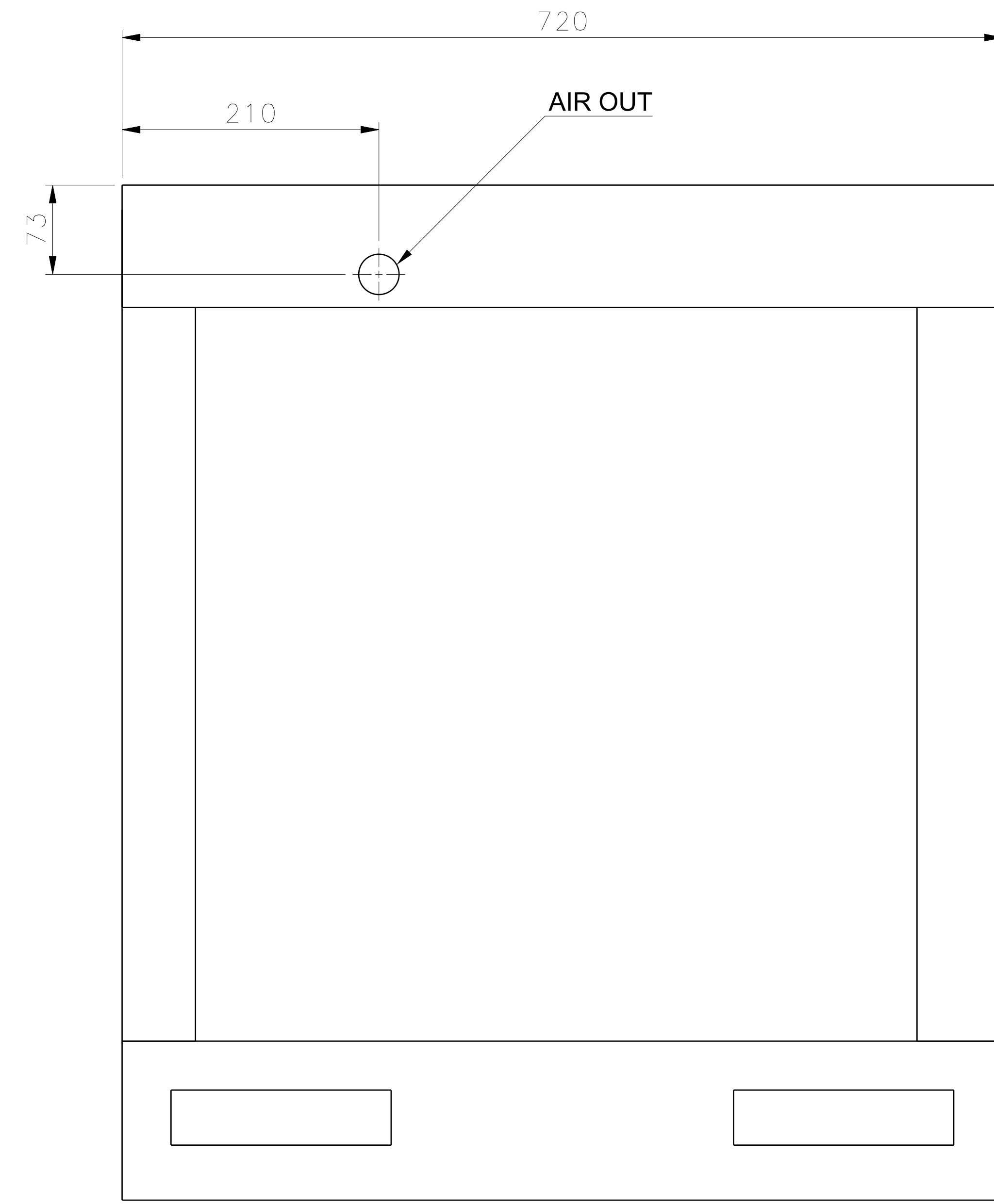
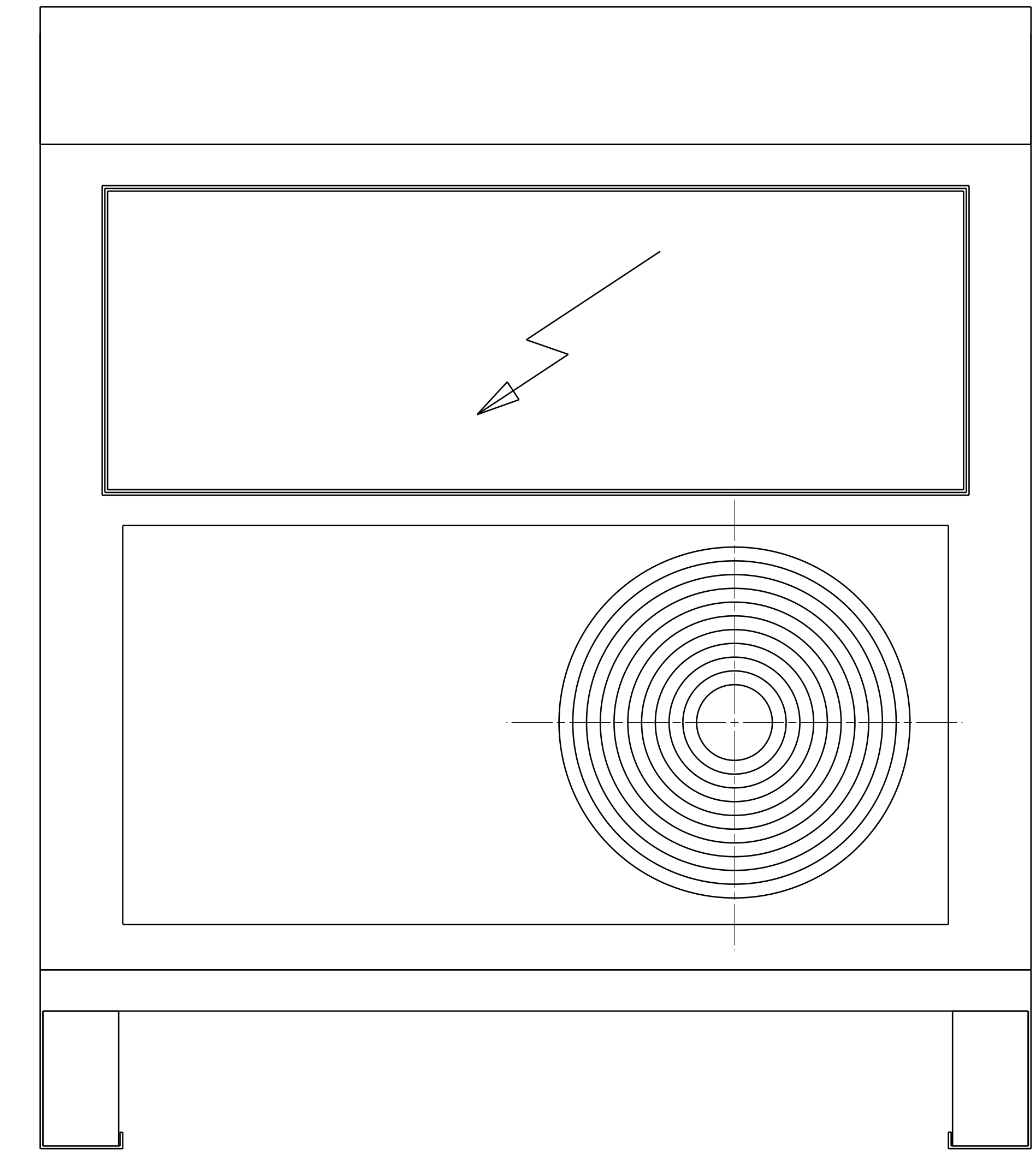


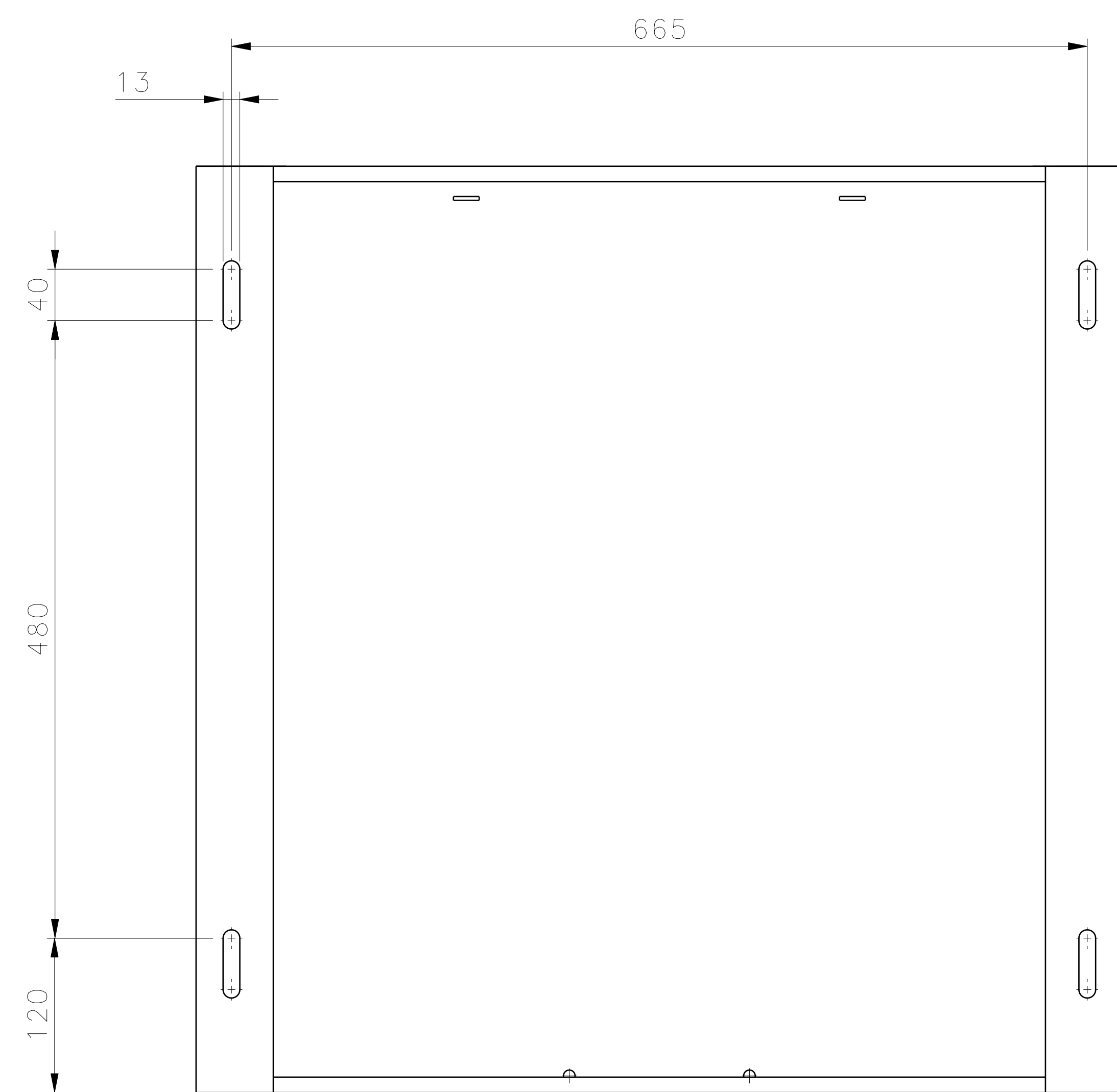
Front view
Scale: 1:3



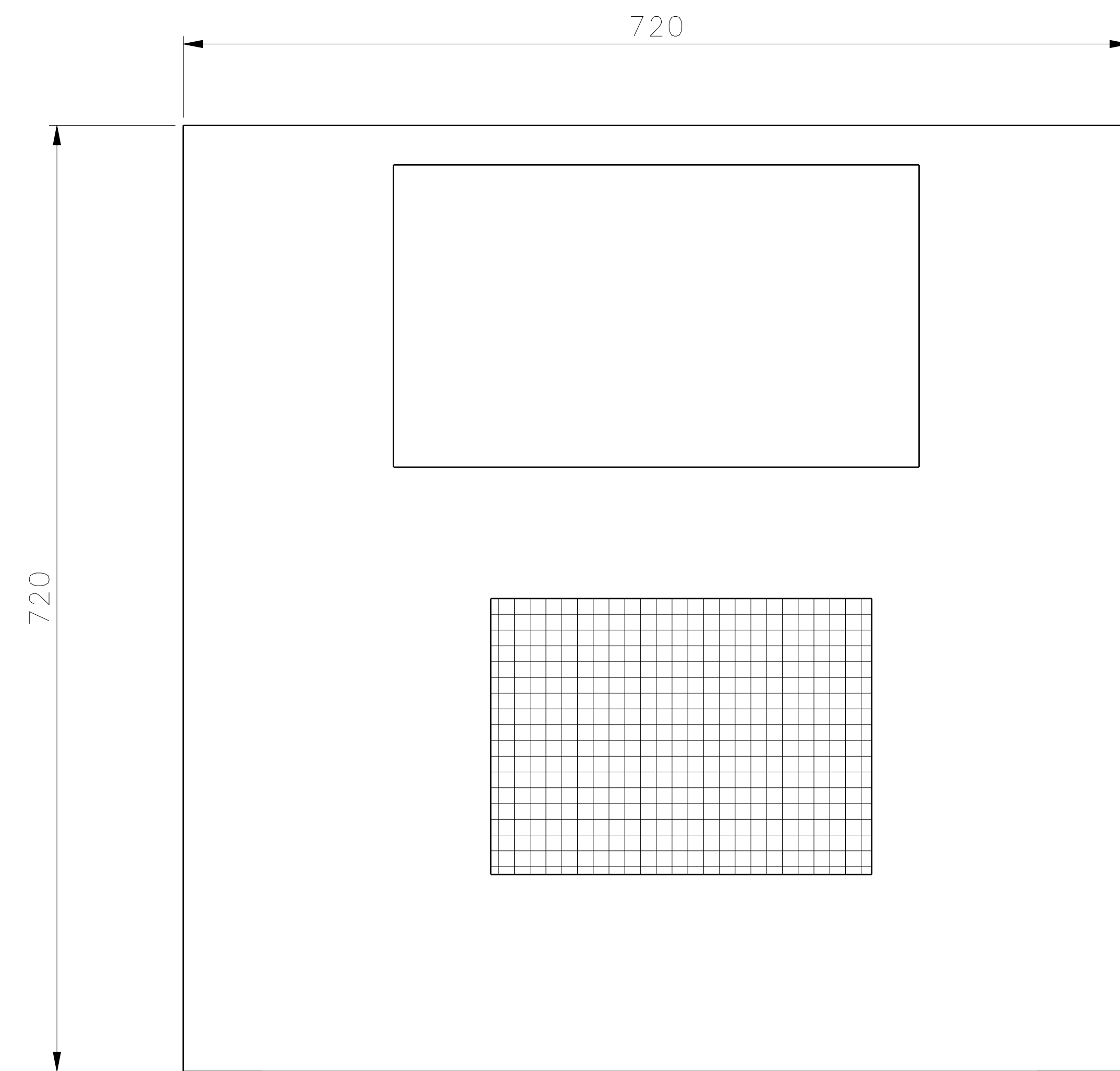
Left view
Scale: 1:3



Rear view
Scale: 1:3



Bottom view
Scale: 1:3



Auxiliary view A
Scale: 1:3

25.05.2021

ITEM NO.	QTY	CODE	IDENT	PART OR IDENTIFYING NO.	NOMENCLATURE OR DESCRIPTION	MATERIAL	SPECIFICATION	ZONE
LIST OF MATERIALS OR PARTS LIST								
THIS DRAWING IS THE PROPERTY OF ANKARA HAMAK IND. AND IS TRANSMITTED IN CONFIDENCE. NEITHER RECEIPT NOR POSSESSION CONFERS OR TRANSFERS ANY RIGHT TO REPRODUCE, USE OR DISCLOSE, IN WHOLE OR PART, DATA CONTAINED HEREIN FOR ANY PURPOSE, WITHOUT THE WRITTEN PERMISSION OF ANKARA HAMAK IND.								
UNLESS OTHERWISE SPECIFIED DIMENSIONS ARE IN INCHES TOLERANCES ON						CONTRACT NUMBER		
FRACTIONS DECIMALS						DATE OF DRAWING		
± .X ± .5						23.10.2020		
ANGLES .XX ± .25						DRAWN BY		
± .XXX ±						V.SAKAL		
ENGINEER						CHECKER		
I.ÜRKÜT						B.YAĞCI		
MANUFACTURING						FUNCTIONAL DESIGNER		
WELDING						CODE IDENT NO.		
VORTEX COMPRESSOR						A0		
APPROVED R.ÖKÇÜN						DRAWING NO.		
NEXT ASSY USED ON APPLICATION						DU-0055-9200		
SCALE						UNIT WT 176 KG SHEET OF		