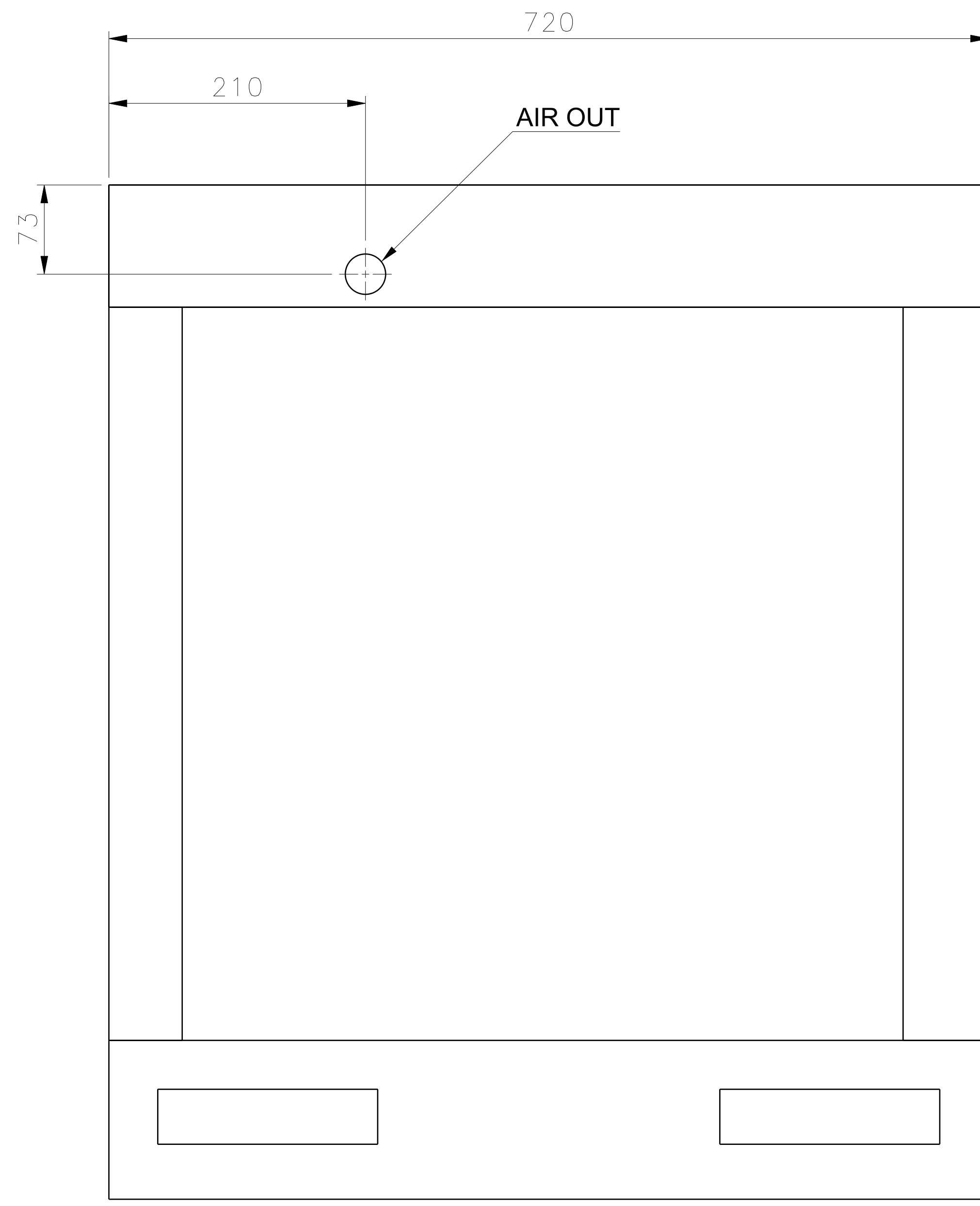
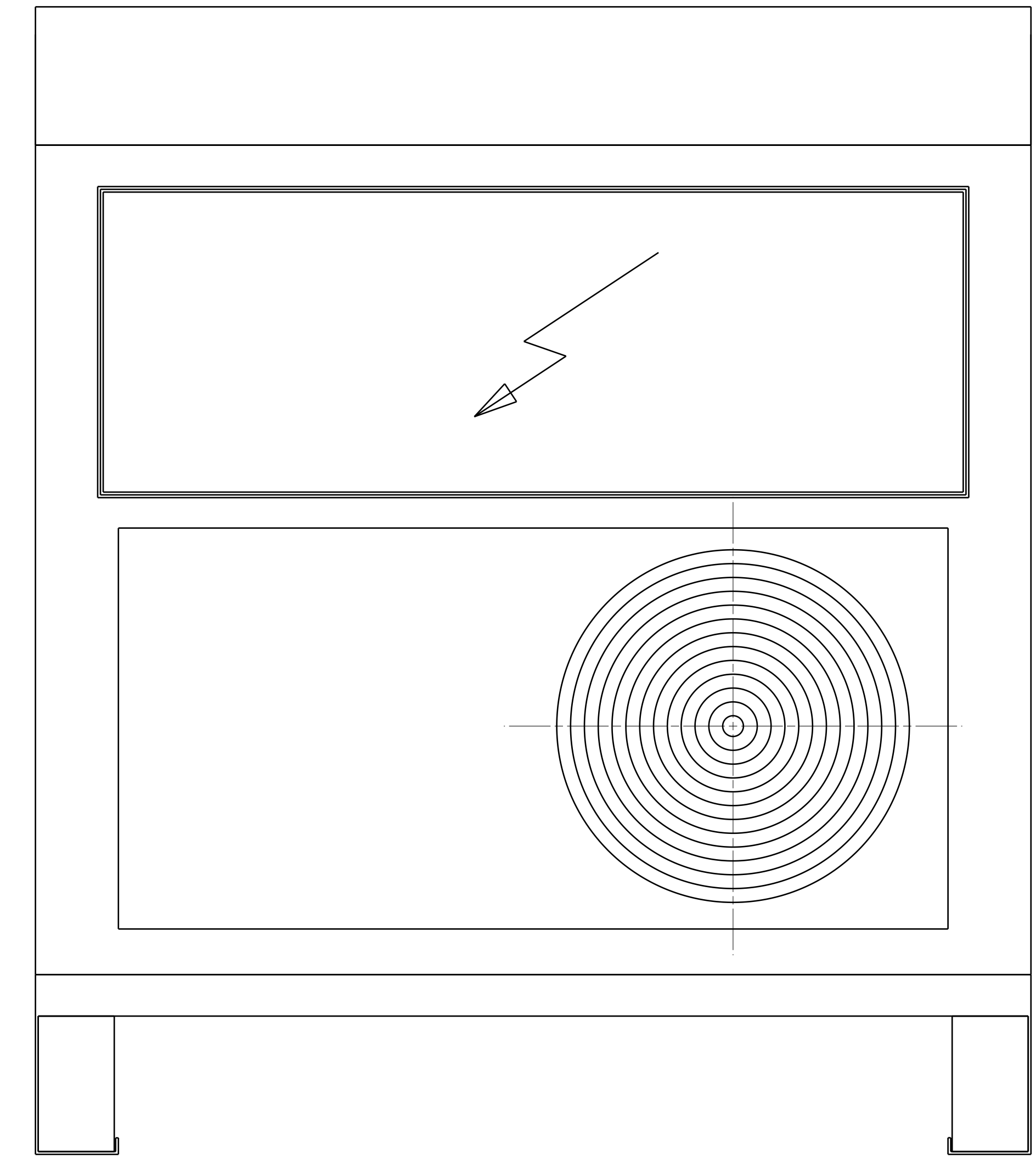


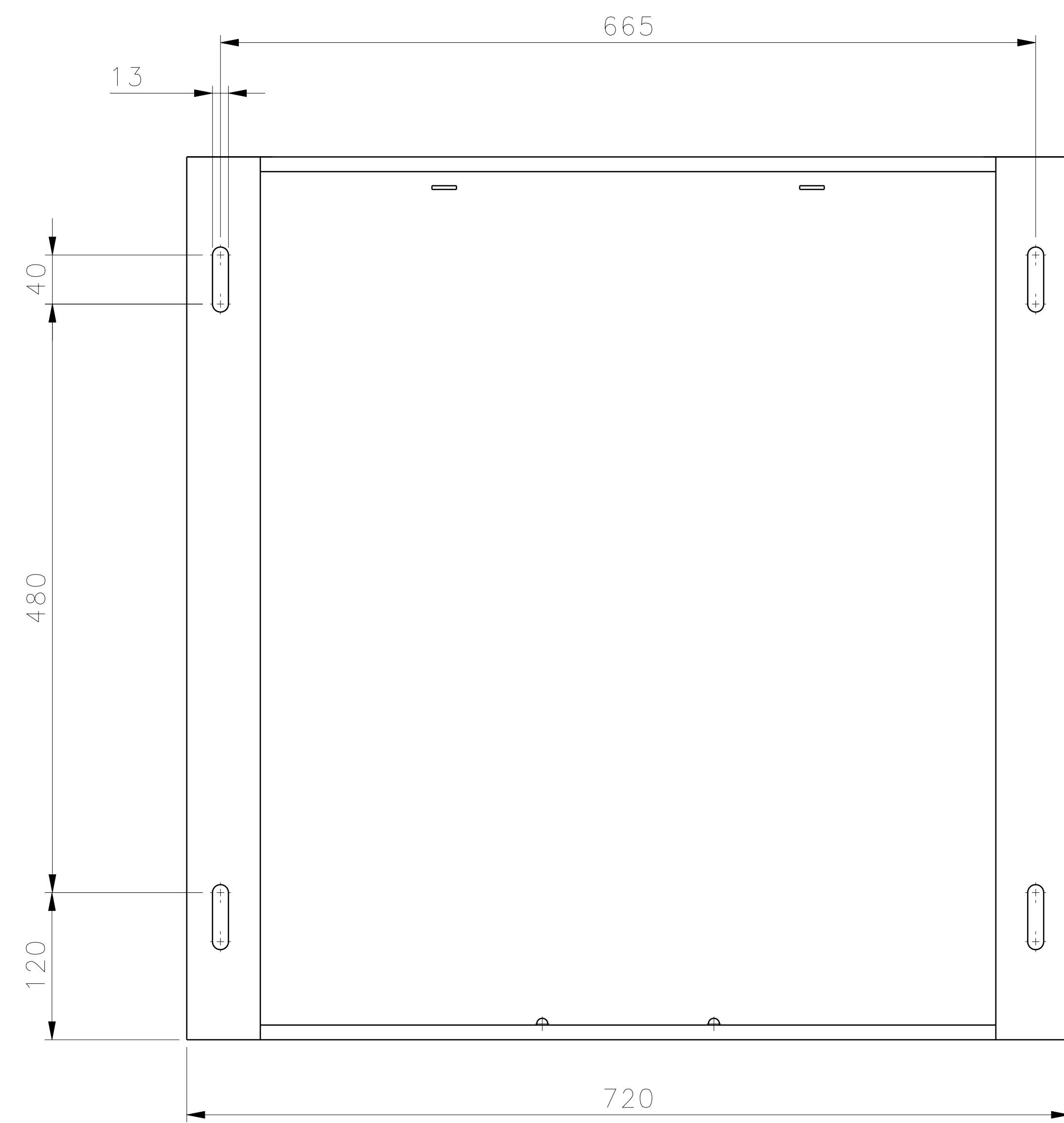
Front view
Scale: 1:3



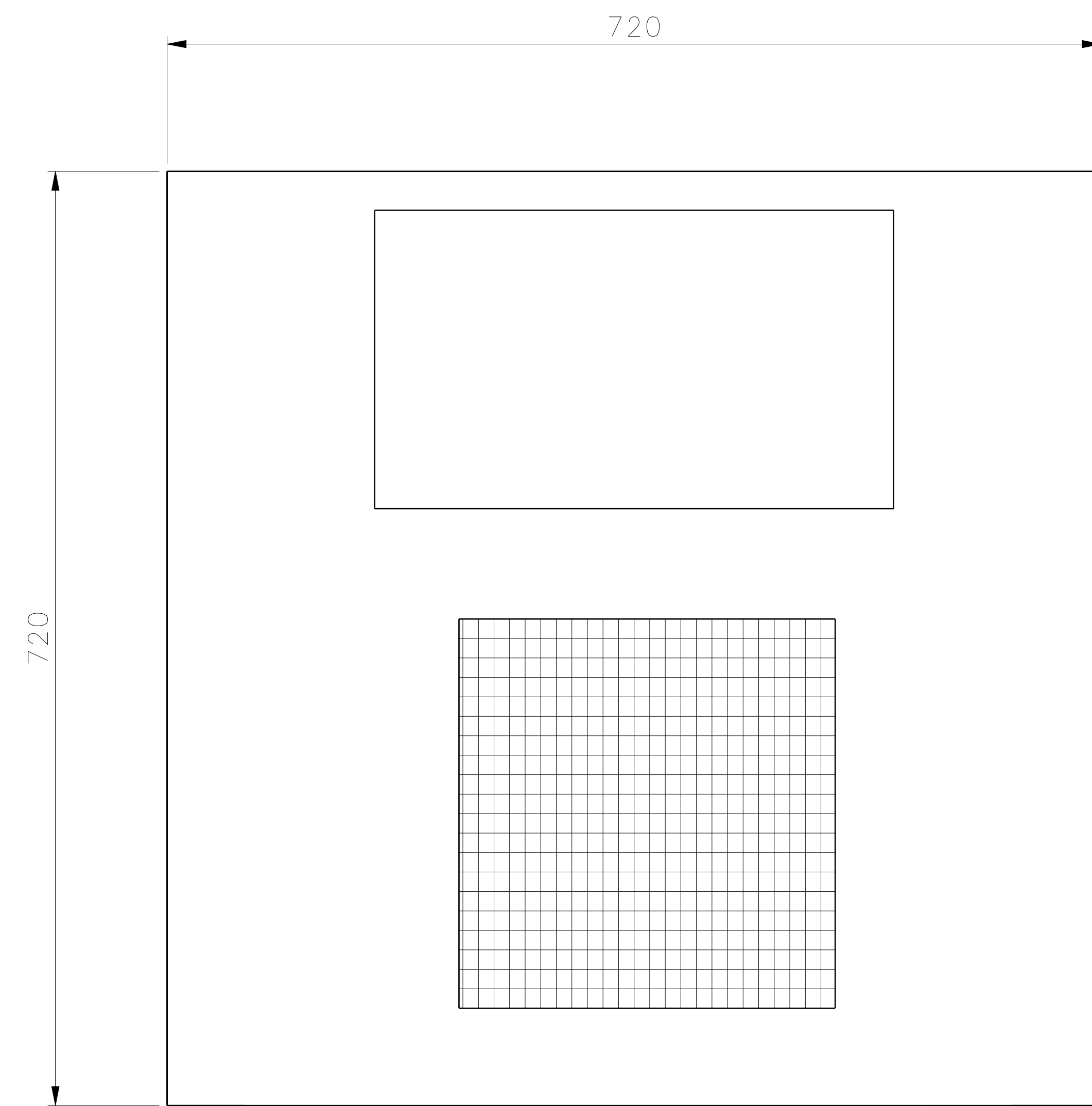
Left view
Scale: 1:3



Rear view
Scale: 1:3



Bottom view
Scale: 1:3



Auxiliary view A
Scale: 1:3

25.05.2021

ITEM NO.	QTY.	CODE	IDENT	PART OR IDENTIFYING NO.	NOMENCLATURE OR DESCRIPTION	MATERIAL	SPECIFICATION	ZONE
LIST OF MATERIALS OR PARTS LIST								
THIS DRAWING IS THE PROPERTY OF ANKARA HAMAK IND. AND IS TRANSMITTED IN CONFIDENCE. NEITHER RECEIPT NOR POSSESSION CONFERS OR TRANSFERS ANY RIGHT TO REPRODUCE, USE OR DISCLOSE, IN WHOLE OR PART, DATA CONTAINED HEREIN FOR ANY PURPOSE, WITHOUT THE WRITTEN PERMISSION OF ANKARA HAMAK IND.								
UNLESS OTHERWISE SPECIFIED DIMENSIONS ARE IN INCHES TOLERANCES ON						CONTRACT NUMBER		
FRACTIONS DECIMALS						DATE OF DRAWING		
± .X ± .5						23.10.2020		
ANGELS .XX ± .25						DRAWN BY		CHECKER
± .XXX ±						V.SAKAL		B.YAĞCI
ENGINEER						FUNCTIONAL DESIGNER		CODE IDENT NO.
I.ÜRKÜT						MANUFACTURING		WELDING
VORTEX COMPRESSOR						SIZE		DRAWING NO.
APPROVED						A0		DU-0075-9200
NEXT ASSY	USED ON	APPLICATION		APPROVED		SCALE	UNIT WT	SHEET OF
				R.ÖKCÜN			184 KG	184