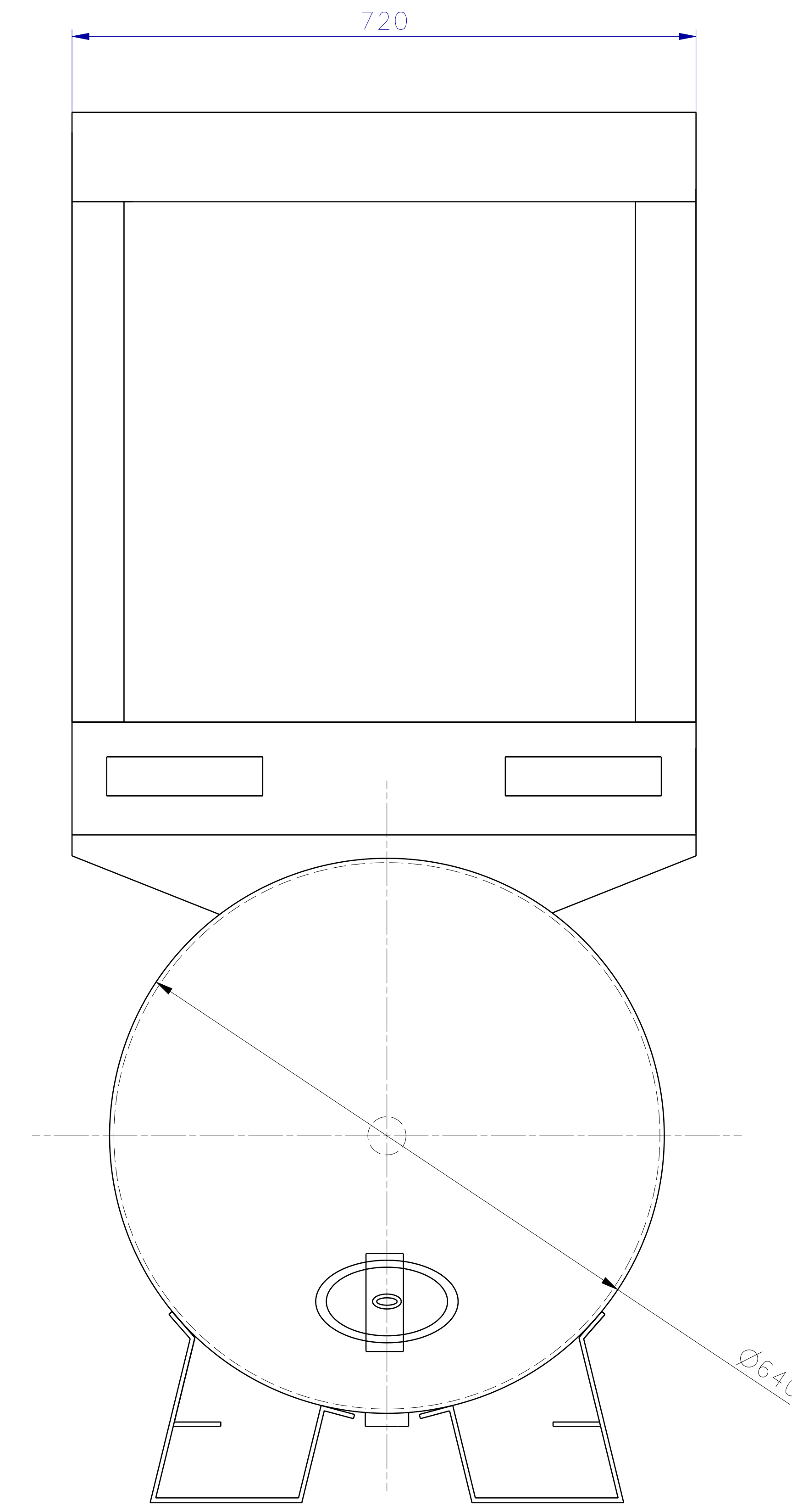
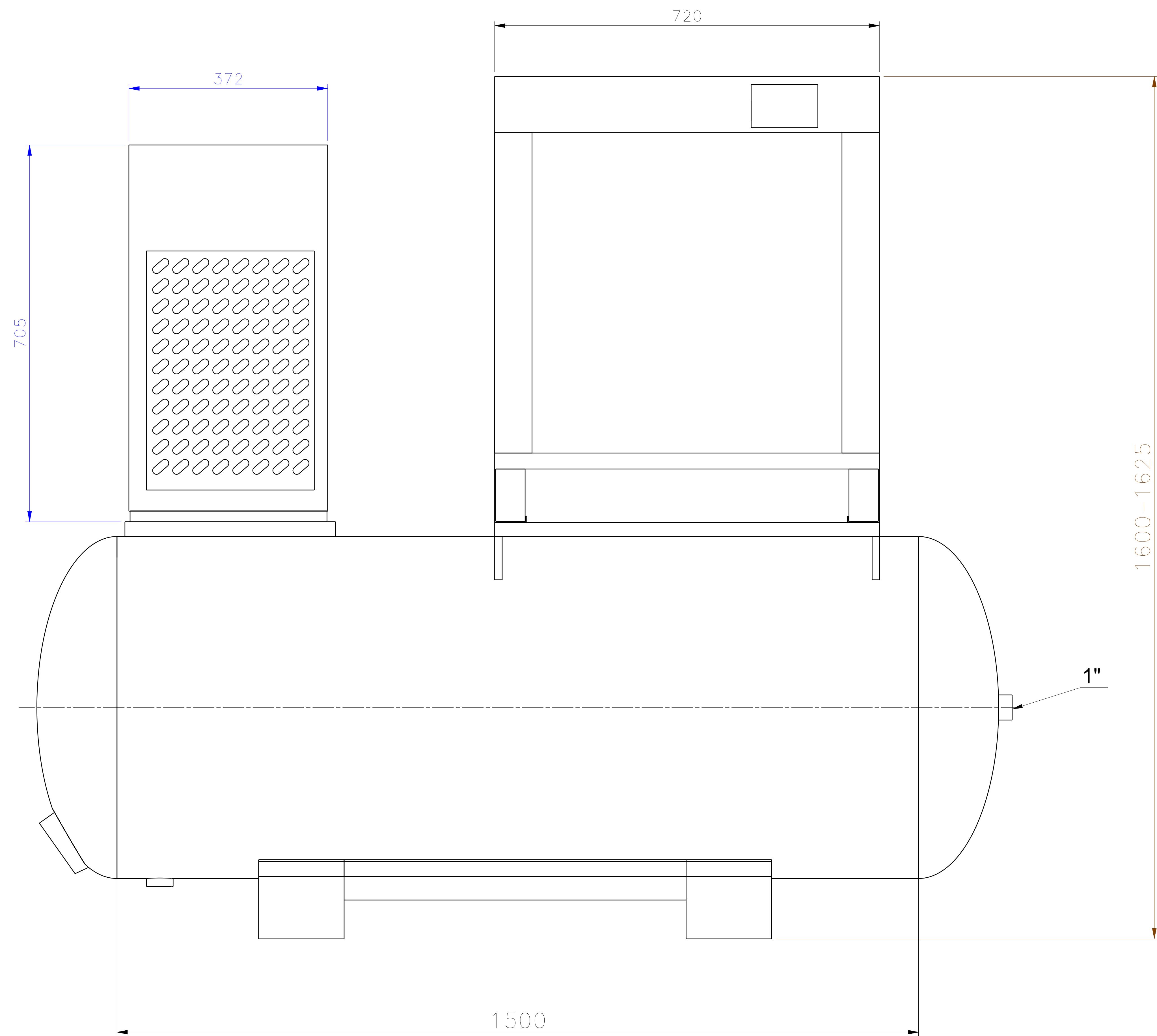
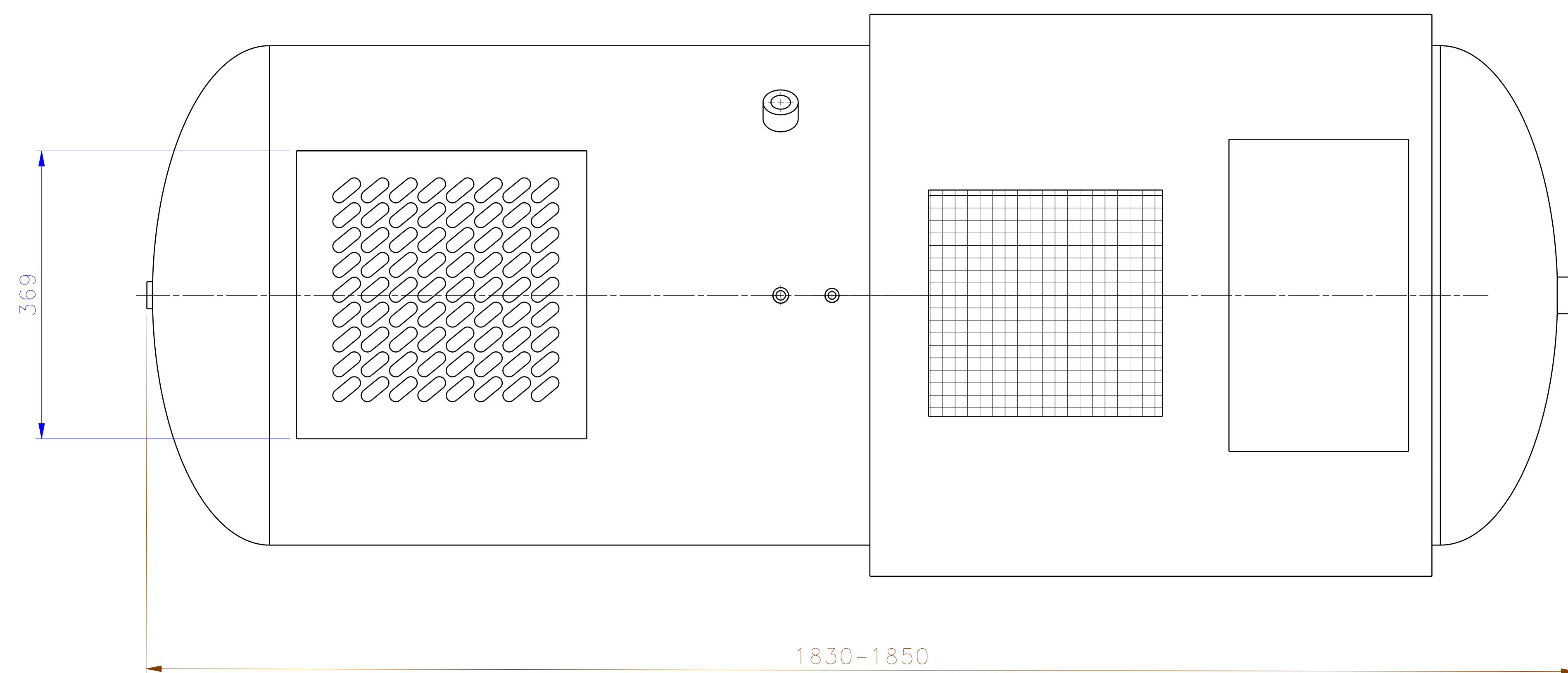


REV	TARİH	AÇIKLAMA	CİZEN	ONAY



Left view[2]
Scale: 1:4



03.12.2021

ITEM NO	QTY	CODE	IDENT	PART OR IDENTIFYING NO	NOMENCLATURE OR DESCRIPTION	MATERIAL	SPECIFICATION	ZONE
LIST OF MATERIALS OR PARTS LIST								
THIS DRAWING IS THE PROPERTY OF ANKARA HAMAK İND. AND IS TRANSMITTED IN CONFIDENCE. NEITHER RECEIPT NOR POSSESSION CONFERS OR TRANSFERS ANY RIGHT TO REPRODUCE, USE OR DISCLOSE, IN WHOLE OR PART, DATA CONTAINED HEREIN FOR ANY PURPOSE, WITHOUT THE WRITTEN PERMISSION OF ANKARA HAMAK İND.								
UNLESS OTHERWISE SPECIFIED DIMENSIONS ARE IN INCHES TOLERANCES ON				CONTRACT NUMBER				
FRACTIONS		DECIMALS		DATE OF DRAWING				
±	—	.X	± .5	14 AGU 2020				
±	—	.XX	± .25	DRAFTSMAN		CHECKER		
±	—	.XXX	±	M. SİMSEK		Y. SAKAL		
				ENGINEER		FUNCTIONAL DESIGN		
				I. URKUT				
				MANUFACTURING		WELDING		
				APPROVED		CODE IDENT NO.		
				R. ÖKÇÜN		MCVD 5,5-7,5		
						500 LT TANK		
						SIZE		
						A0		
						DRAWING NO.		
						DU-0500-9551		
NEXT ASSY				USED ON		SCALE		UNIT WT
APPLICATION								435 KG
						SHEET		OF

