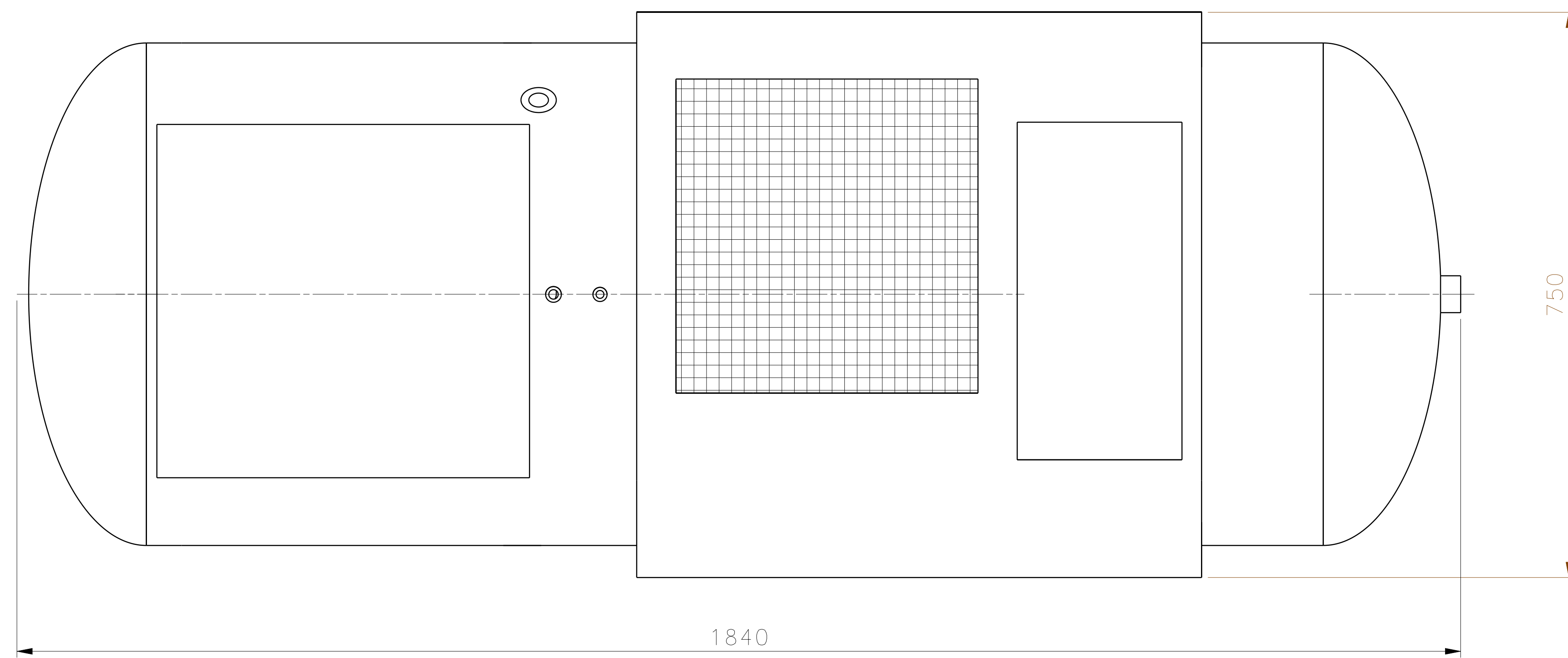


Left view(2)
Scale: 1:4



Top view
Scale: 1:4

02.02.2023

ITEM NO.	QTY REQD	CODE IDENT	PART OR IDENTIFYING NO	NOMENCLATURE OR DESCRIPTION	MATERIAL	SPECIFICATION	ZONE
LIST OF MATERIALS OR PARTS LIST							
THIS DRAWING IS THE PROPERTY OF ANKARA HAMAK IND. AND IS TRANSMITTED IN CONFIDENCE. NEITHER RECEIPT NOR POSSESSION CONFERS OR TRANSFERS ANY RIGHT TO REPRODUCE, USE OR DISCLOSE, IN WHOLE OR PART, DATA CONTAINED HEREIN FOR ANY PURPOSE, WITHOUT THE WRITTEN PERMISSION OF ANKARA HAMAK IND.							
UNLESS OTHERWISE SPECIFIED DIMENSIONS ARE IN INCHES TOLERANCES ON				CONTRACT NUMBER			
FRACTIONS		DECIMALS		DATE OF DRAWING		MCVD 11 COMPRESSOR	
± .X ± .5		± .XX ± .25		02.02.2023			
± .XXX ±		±		DRAWN BY		LAYOUT DIMENSIONS	
±		±		V.SAKAL			
±		±		CHECKER		CODE IDENT NO.	
±		±		B.YAĞCI			
±		±		ENGINEER		DRAWING NO.	
±		±		I.ÜRKÜT			
±		±		MANUFACTURING		DU-0110-9500	
±		±		WELDING			
±		±		APPROVED		SCALE	
±		±		R.ÖKÇÜN			
±		±		UNIT WT		SHEET OF	
±		±		500 KG			

