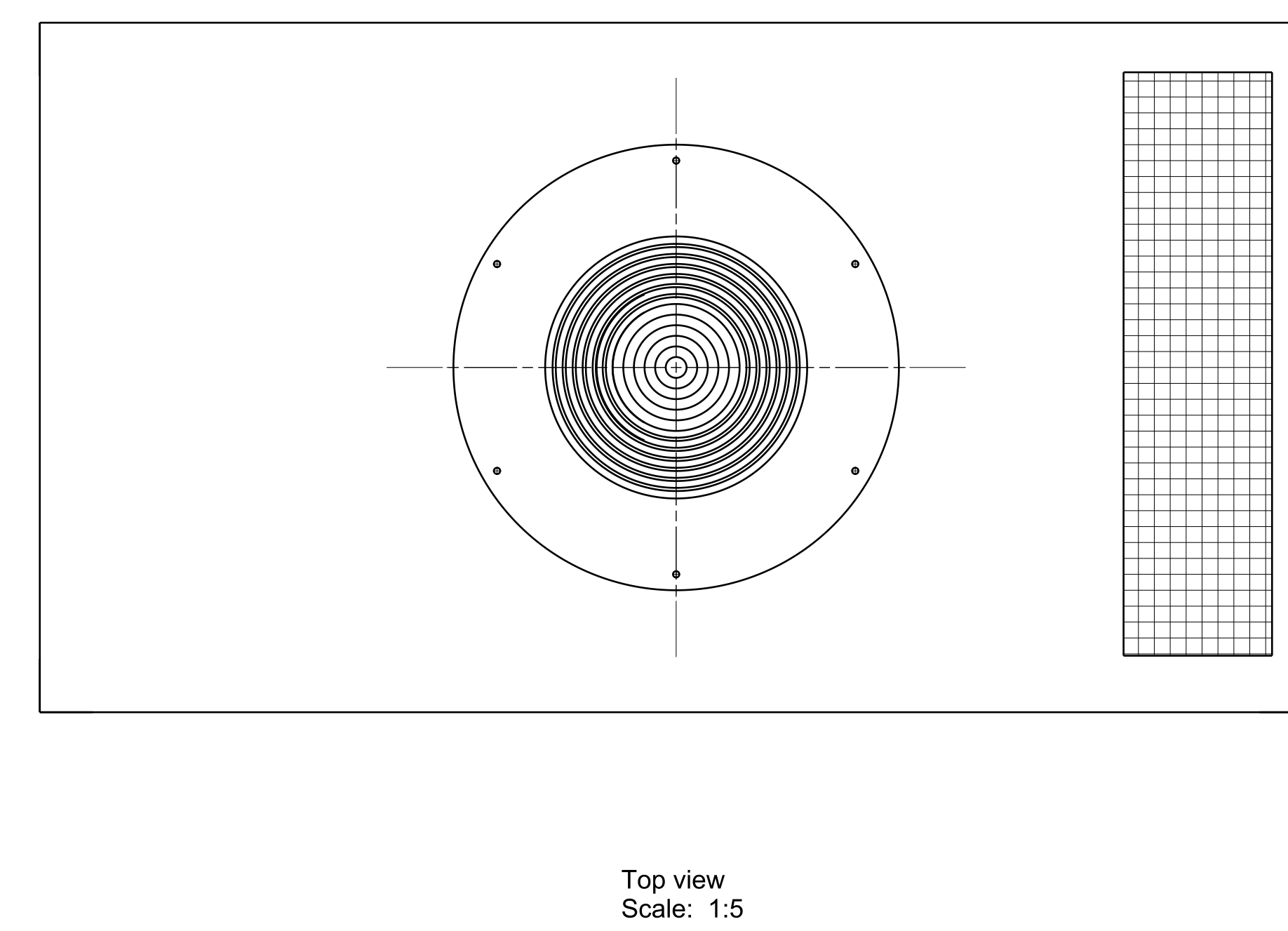
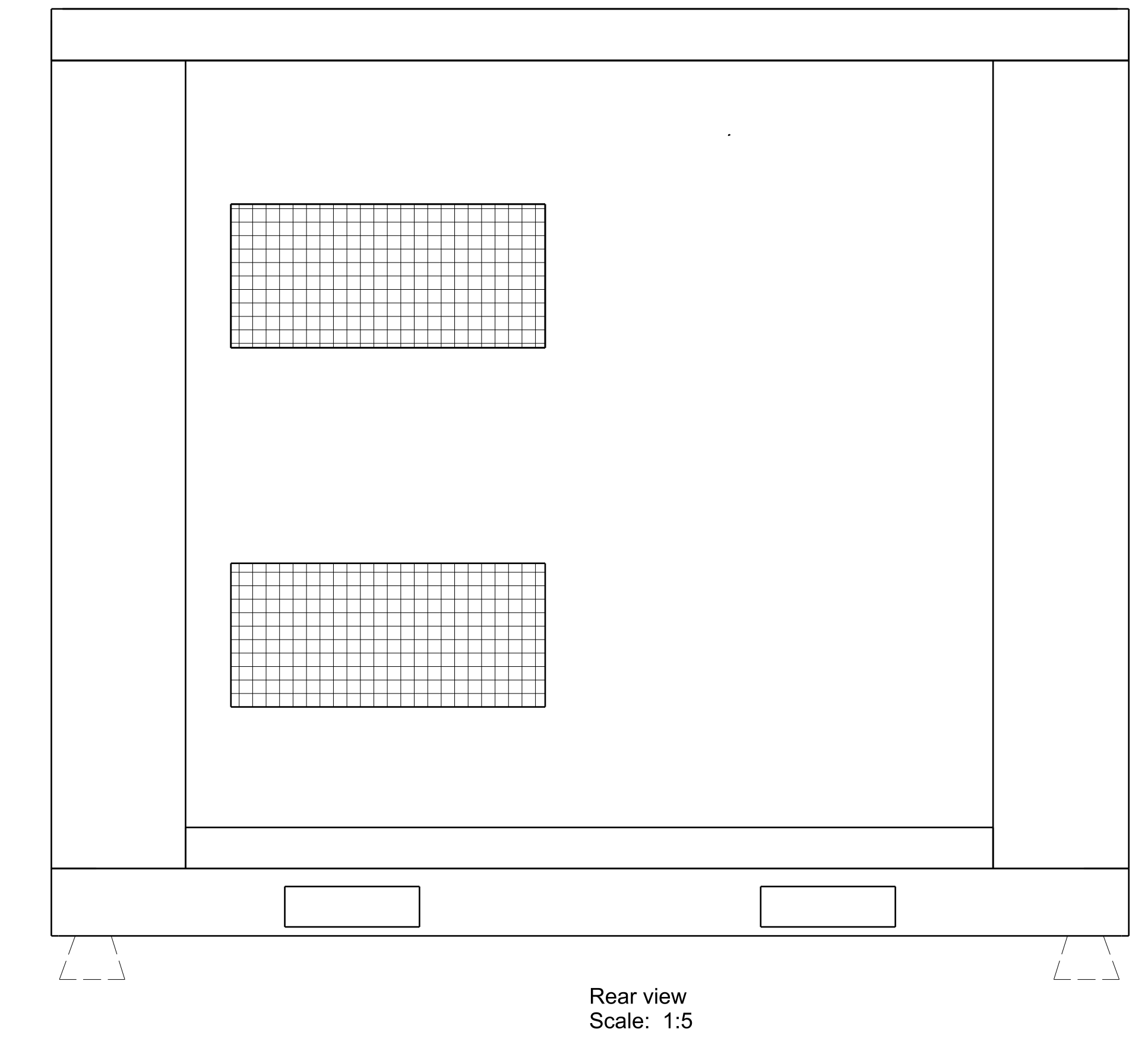
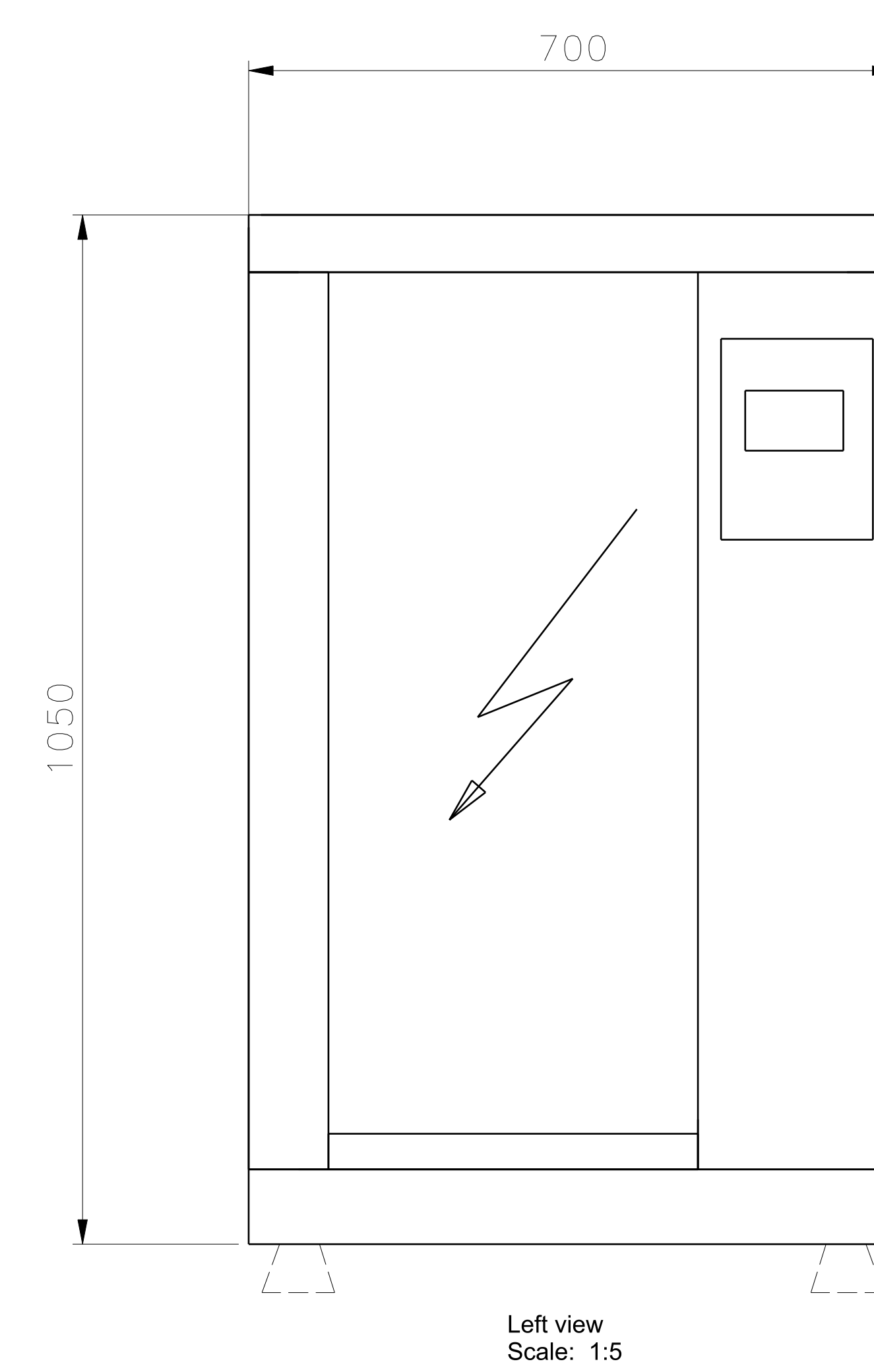
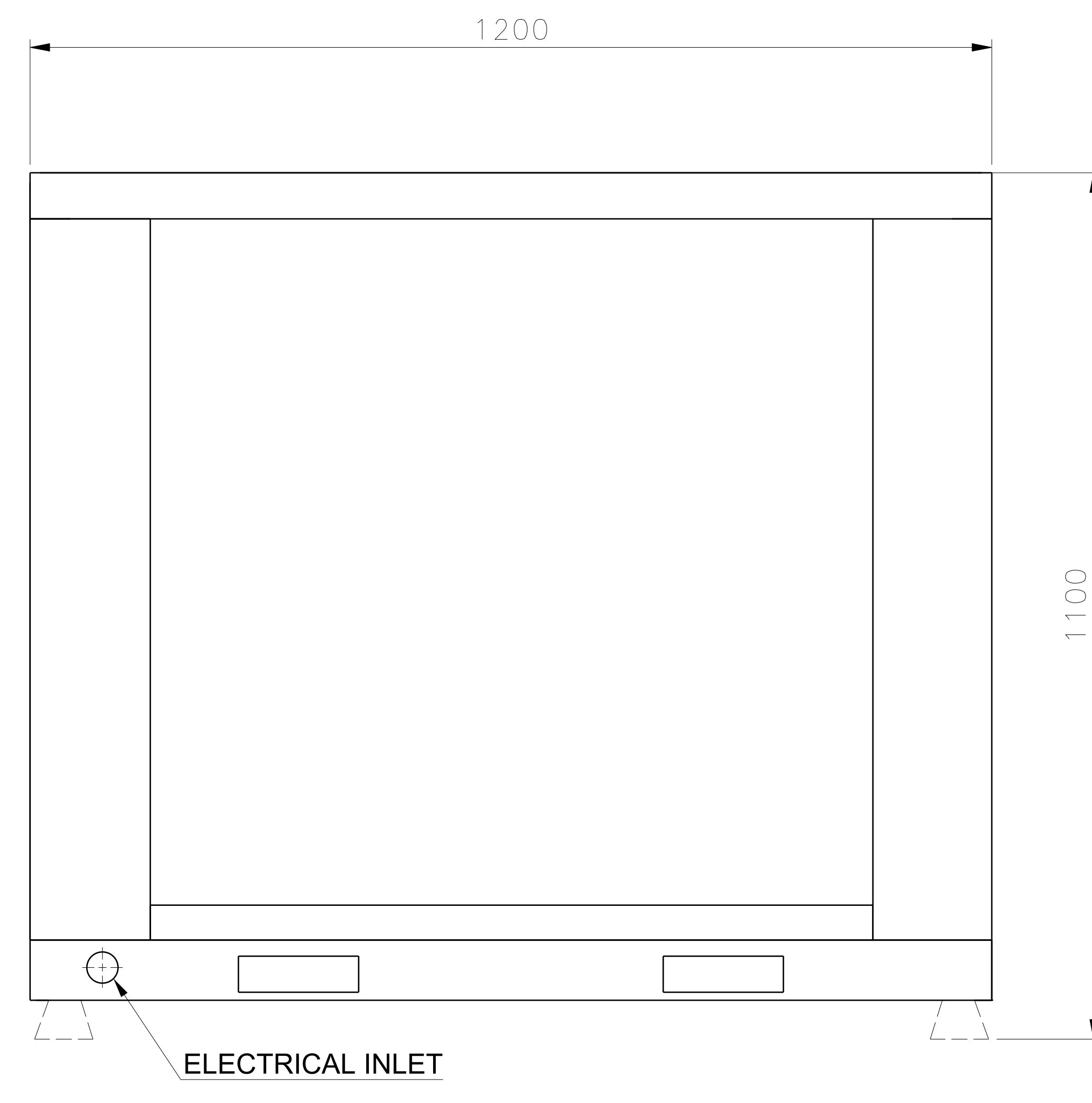
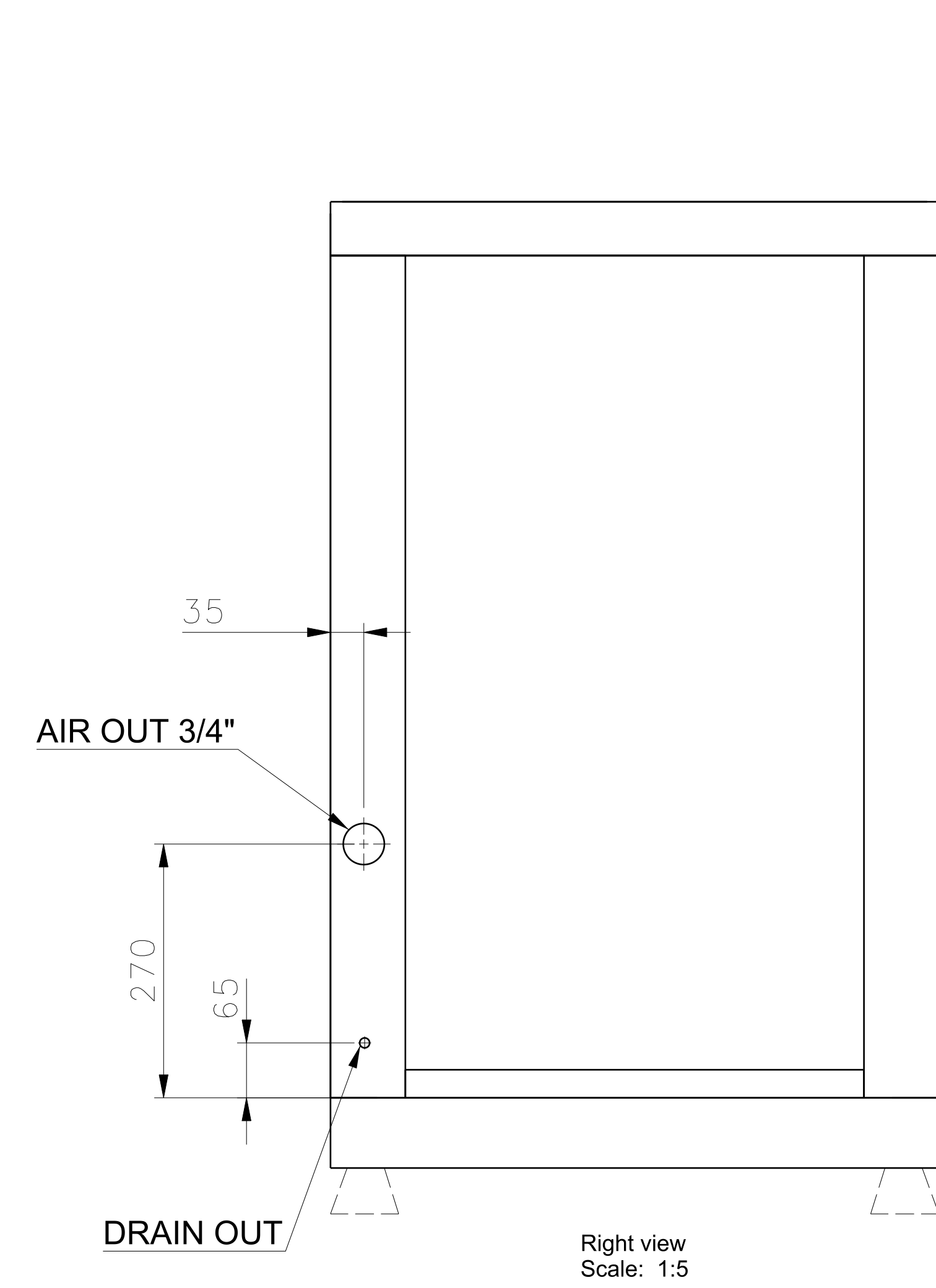


REV	DATE	DESCRIPTION	DWG	APPR
A	02.05.17	SAME CABIN 11 - 15 ACCORDING A NEW UNIT	VS	RO



25.05.2021

ITEM NO.	QTY REQD	CODE IDENT	PART OR IDENTIFYING NO	NOMENCLATURE OR DESCRIPTION	MATERIAL	SPECIFICATION	ZONE
LIST OF MATERIALS OR PARTS LIST							
THIS DRAWING IS THE PROPERTY OF ANKARA HAMAK IND. AND IS TRANSMITTED IN CONFIDENCE. NEITHER RECEIPT NOR POSSESSION CONFERS OR TRANSFERS ANY RIGHT TO REPRODUCE, USE OR DISCLOSE, IN WHOLE OR PART, DATA CONTAINED HEREIN FOR ANY PURPOSE, WITHOUT THE WRITTEN PERMISSION OF ANKARA HAMAK IND.							
UNLESS OTHERWISE SPECIFIED DIMENSIONS ARE IN INCHES TOLERANCES ON				CONTRACT NUMBER			
FRACTIONS		DECIMALS		DATE OF DRAWING			
±	—	.X	± .5	14 APR 2014			
±	—	.XX	± .25	DRAFTSMAN		CHECKER	
±	—	.XXX	±	V. SAKAL		I. KARAHAN	
				ENGINEER		FUNCTIONAL DESIGN	
				I. URKUT		CODE IDENT NO.	
				MANUFACTURING		WELDING	
						SIZE	
						A0	
NEXT ASSY USED ON APPLICATION				APPROVED		DRAWING NO.	
				R. OKÇUN		WK-0150-9000	
				SCALE		UNIT WT _____ LB SHEET OF	