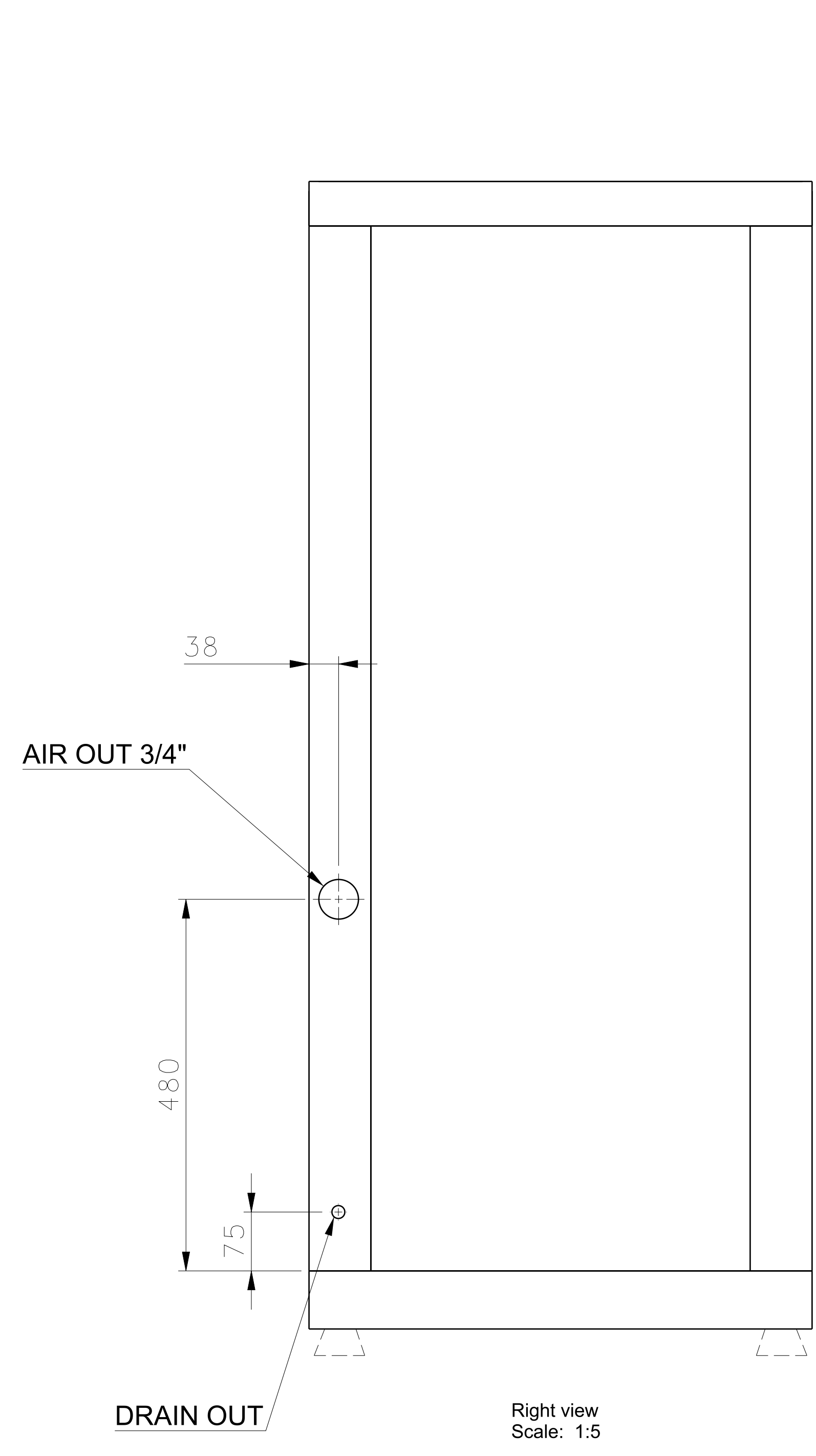
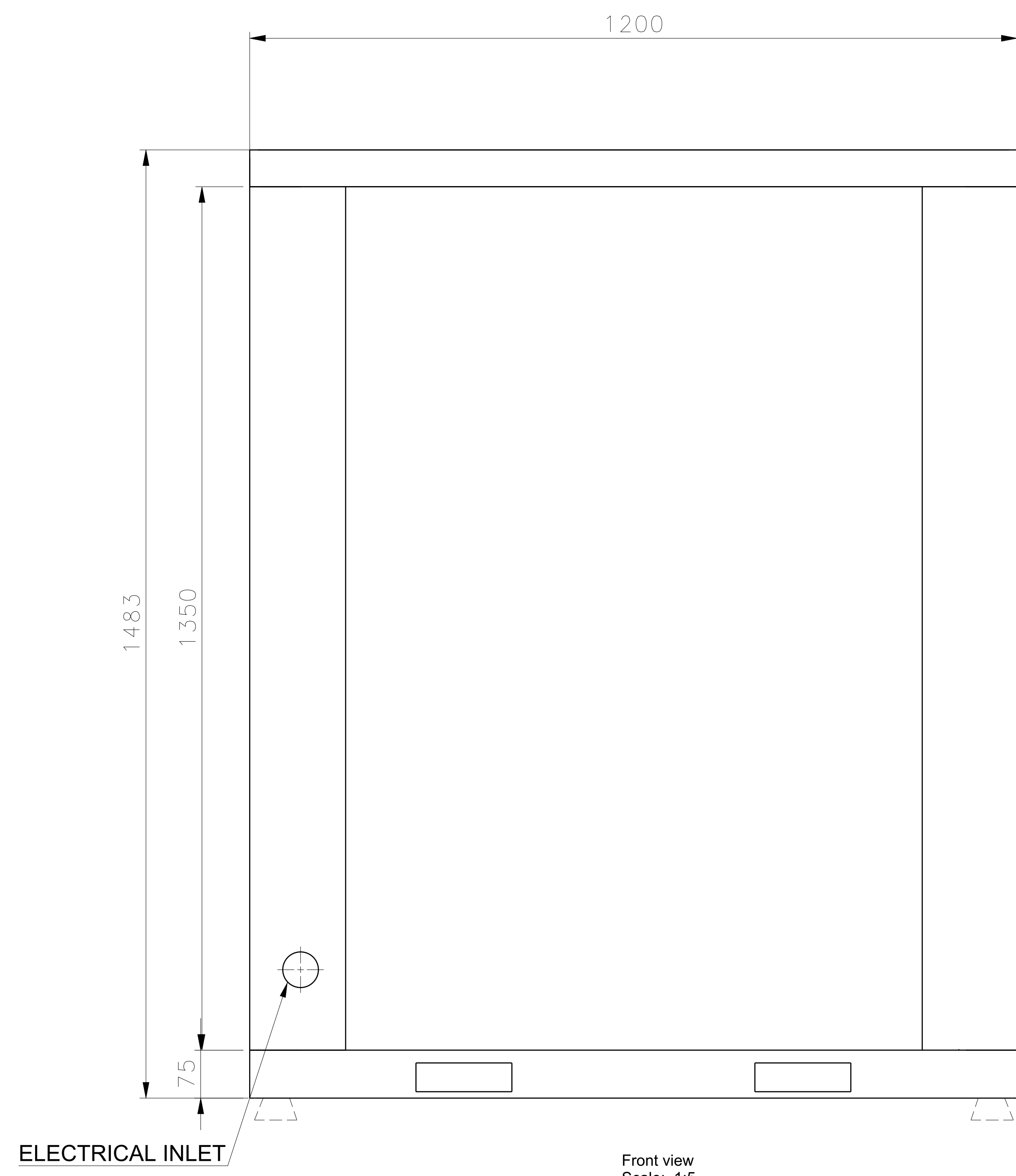


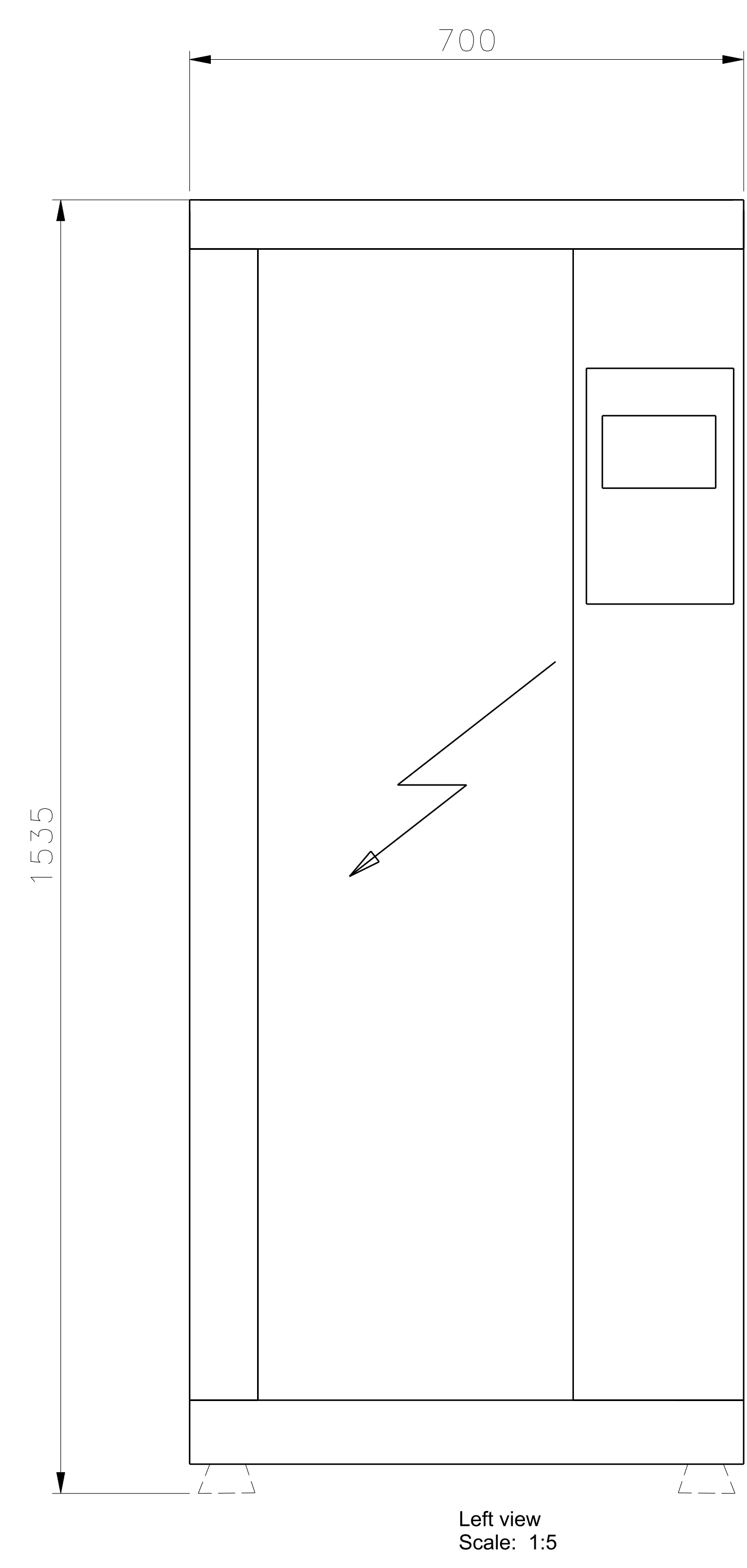
REV	DATE	DESCRIPTION	DRW	APPR
A				



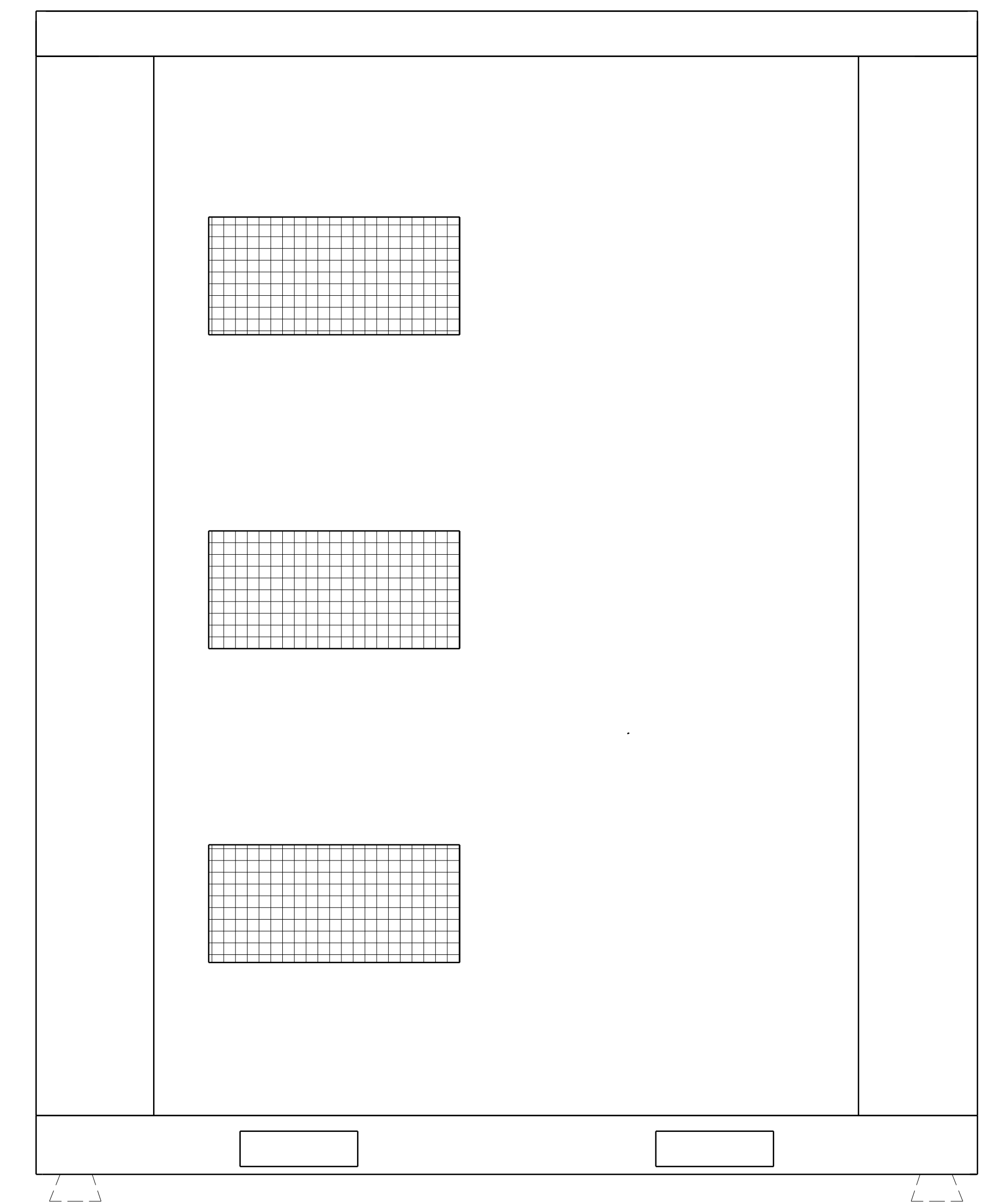
Right view
Scale: 1:5



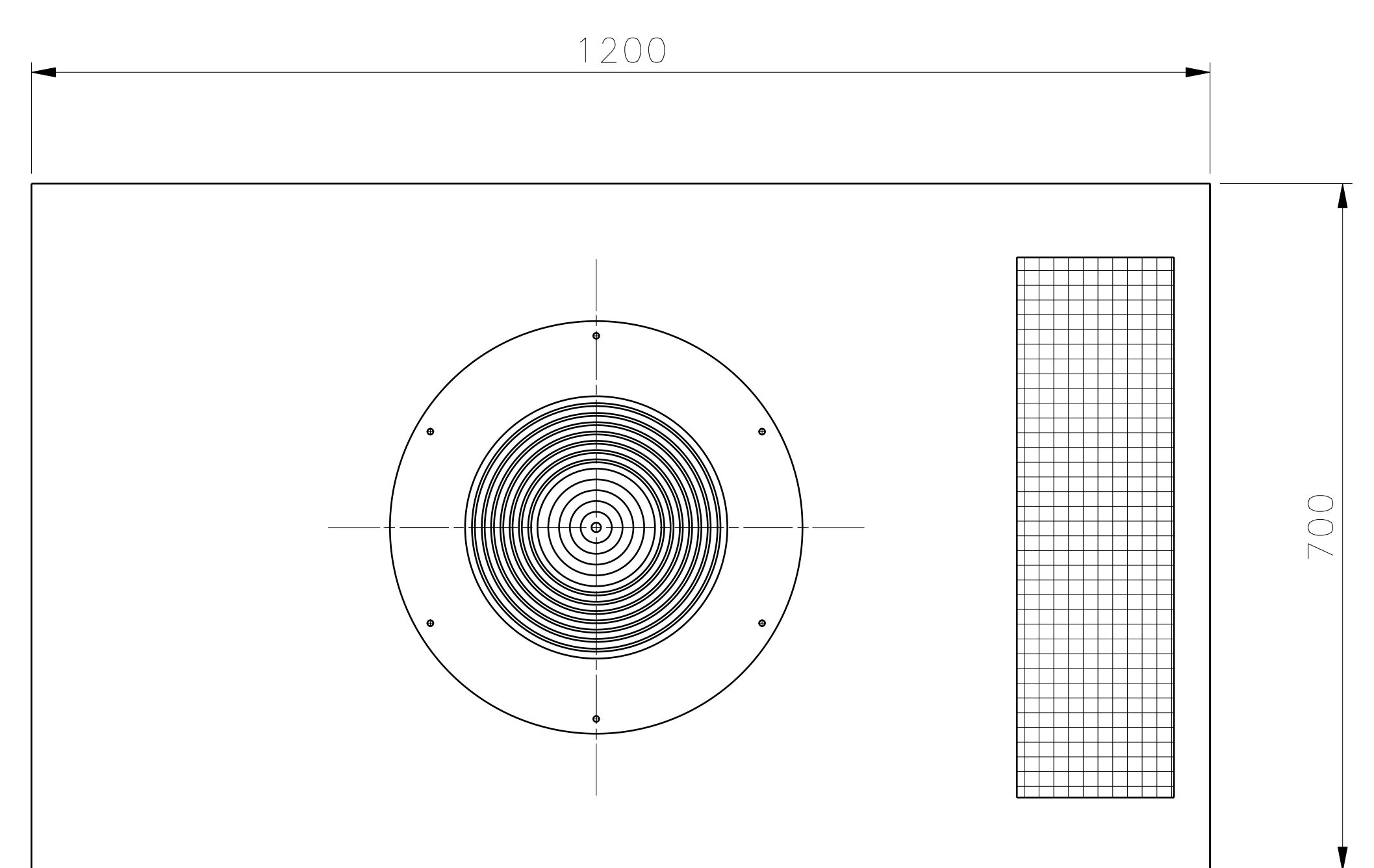
Front view
Scale: 1:5



Left view
Scale: 1:5



Rear view
Scale: 1:5



Top view
Scale: 1:5

25.05.2021

ITEM NO.	QTY	CODE	IDENT	PART OR IDENTIFYING NO.	NOMENCLATURE OR DESCRIPTION	MATERIAL	SPECIFICATION	ZONE	
LIST OF MATERIALS OR PARTS LIST									
THIS DRAWING IS THE PROPERTY OF ANKARA HAMAK IND. AND IS TRANSMITTED IN CONFIDENCE. NEITHER RECEIPT NOR POSSESSION CONFERS OR TRANSFERS ANY RIGHT TO REPRODUCE, USE OR DISCLOSE, IN WHOLE OR PART, DATA CONTAINED HEREIN FOR ANY PURPOSE, WITHOUT THE WRITTEN PERMISSION OF ANKARA HAMAK IND.									
UNLESS OTHERWISE SPECIFIED DIMENSIONS ARE IN INCHES TOLERANCES ON					CONTRACT NUMBER				
FRACTIONS DECIMALS					DATE OF DRAWING				
± .X ± .5					11 JAN 2012				
ANGLES .XX ± .25					DRAFTSMAN		CHECKER		SCROLL COMPRESSOR VOFS 3X 5,5 - 15 KW
± .XXX ±					Y. SAKAL		I. KARAHAN		
					ENGINEER		FUNCTIONAL DESIGN		
					I. URKUT		CODE IDENT NO.		
					MANUFACTURING		WELDING		
					VORTEX COMPRESSOR		APPROVED		R. OKÇUN
NEXT ASSY USED ON APPLICATION							SIZE		
							A0		
							DRAWING NO.		
							WK-0165-9000		
							SCALE		
							UNIT WT		
							LB SHEET		
							OF		