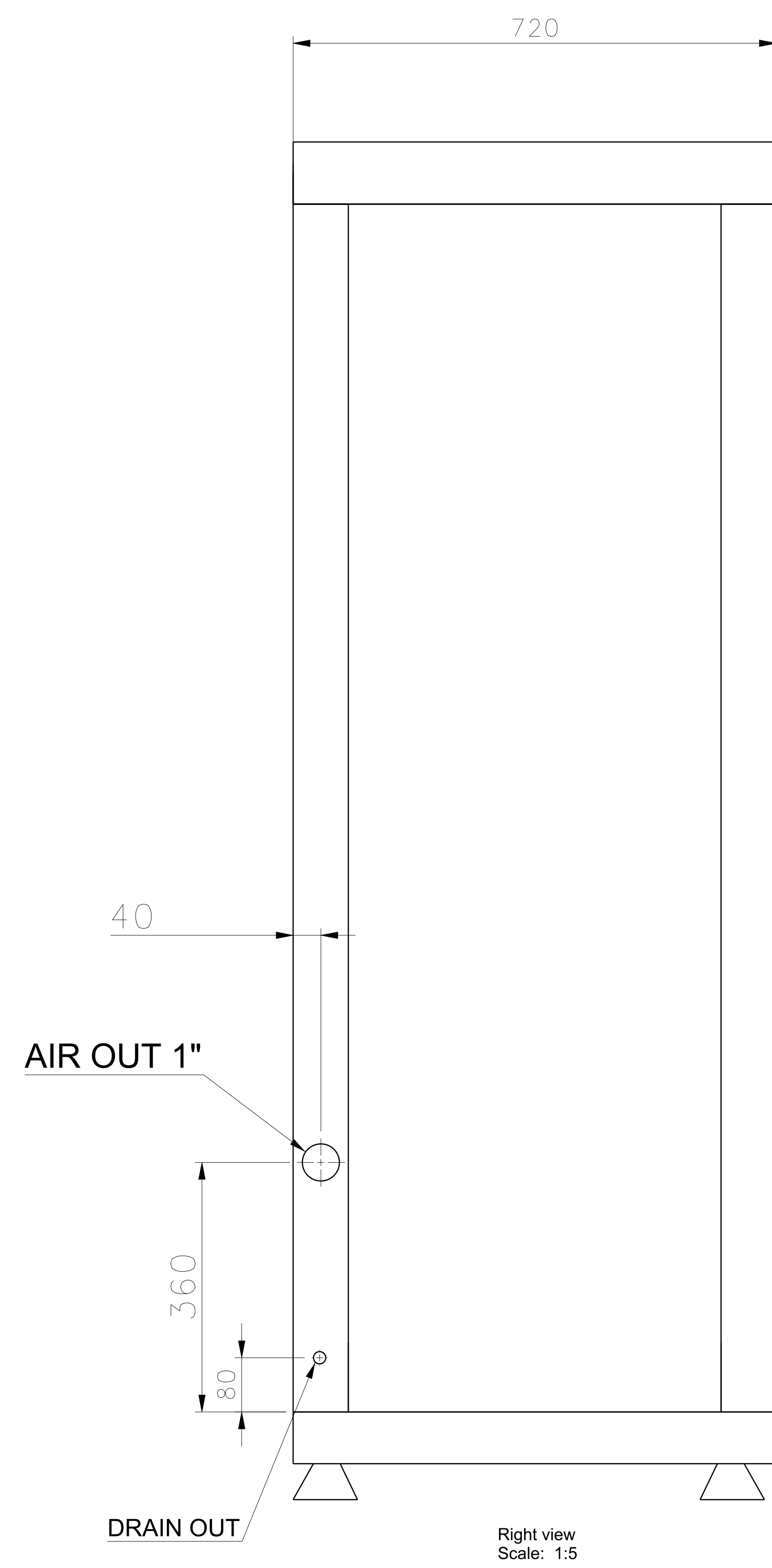
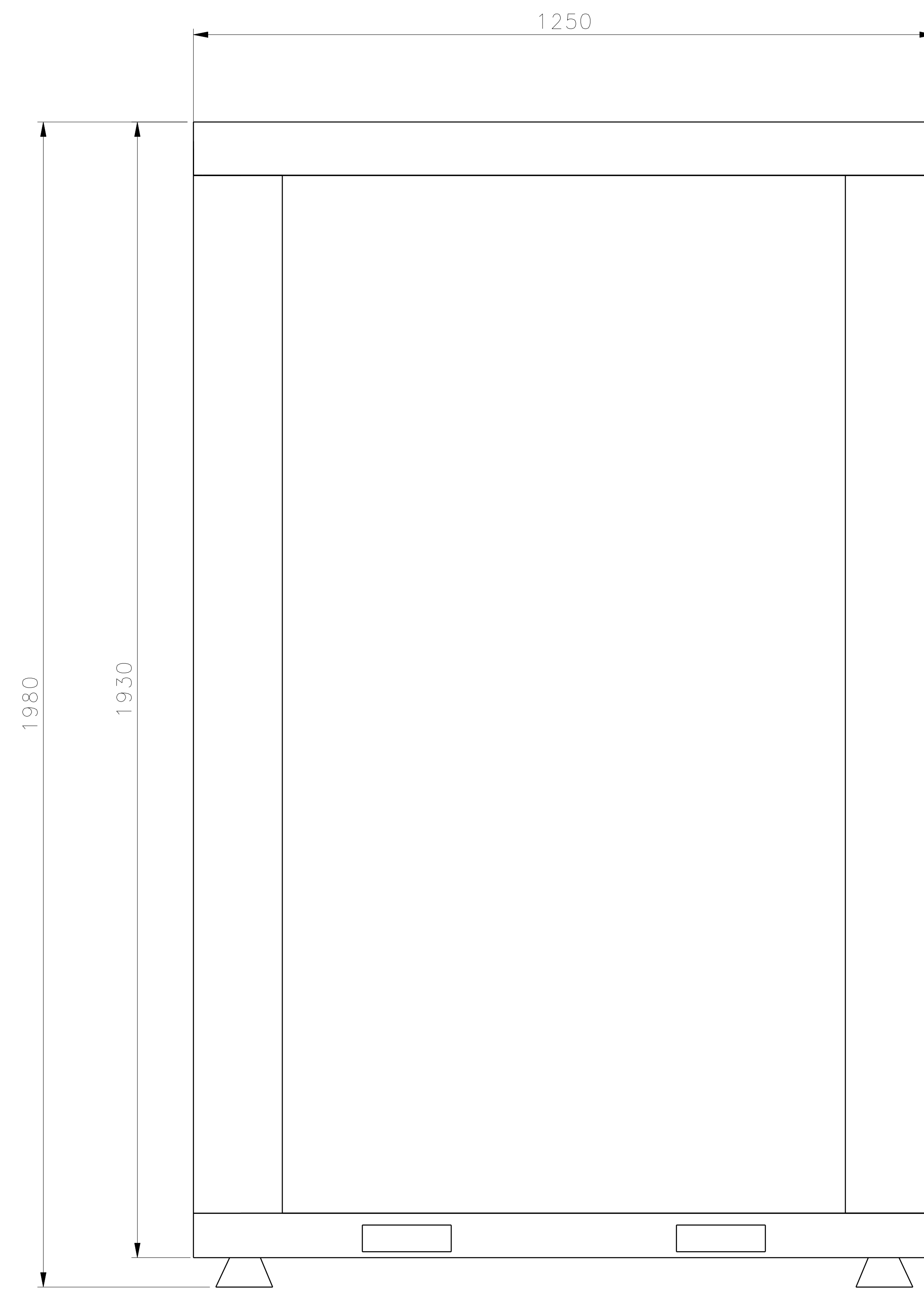


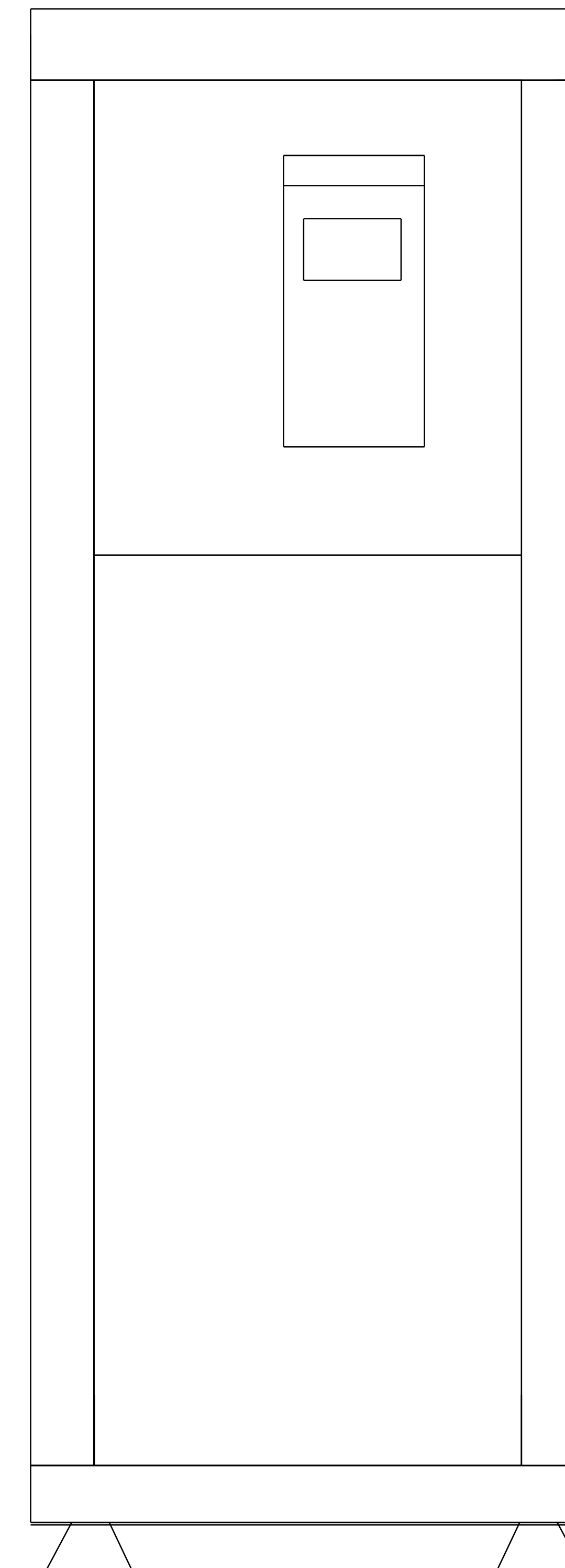
REV	DATE	DESCRIPTION	DRW	APPR
A	12.07.18	ADD OPENING TO THE COVER	VS	R.Ö



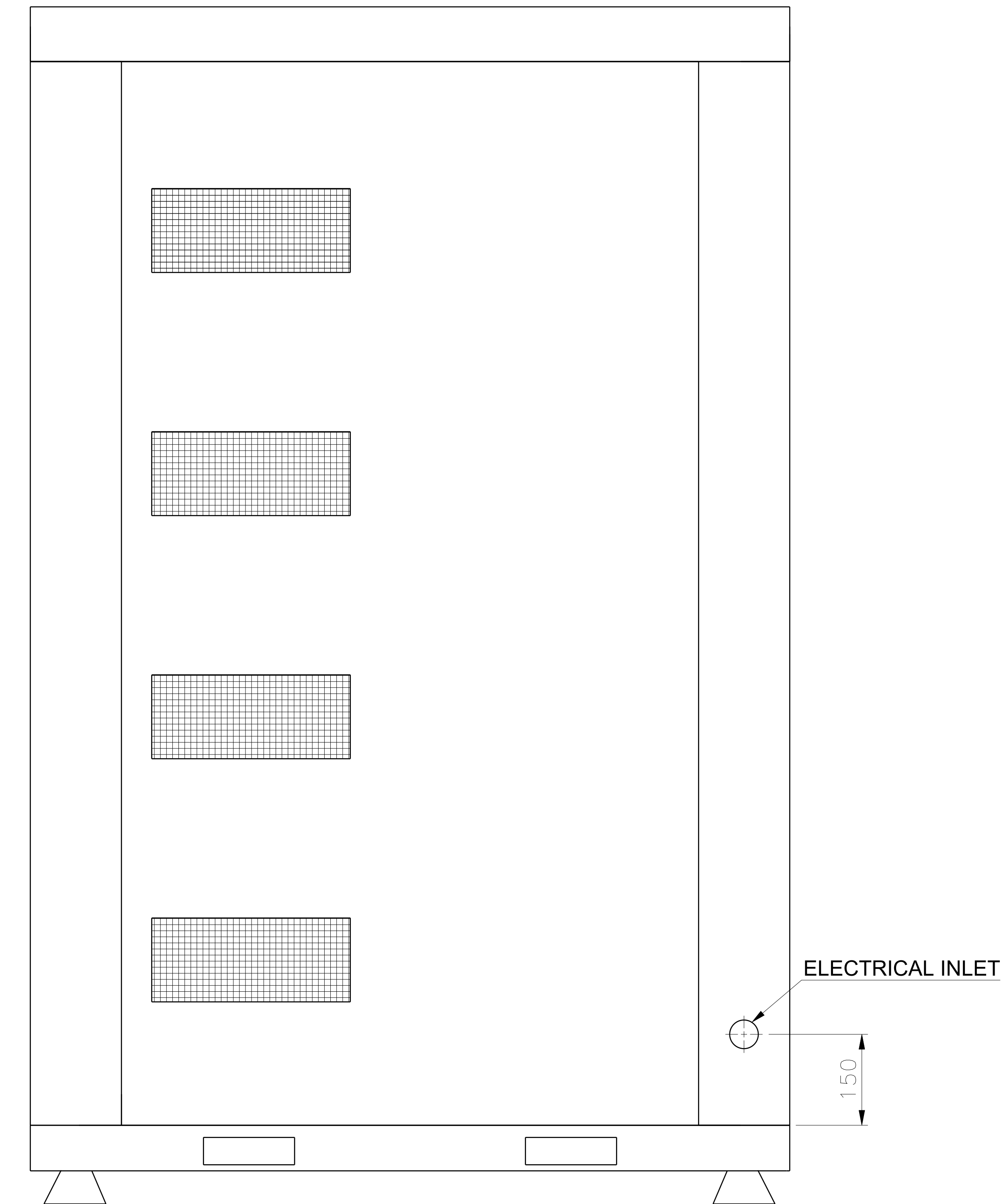
Right view
Scale: 1:5



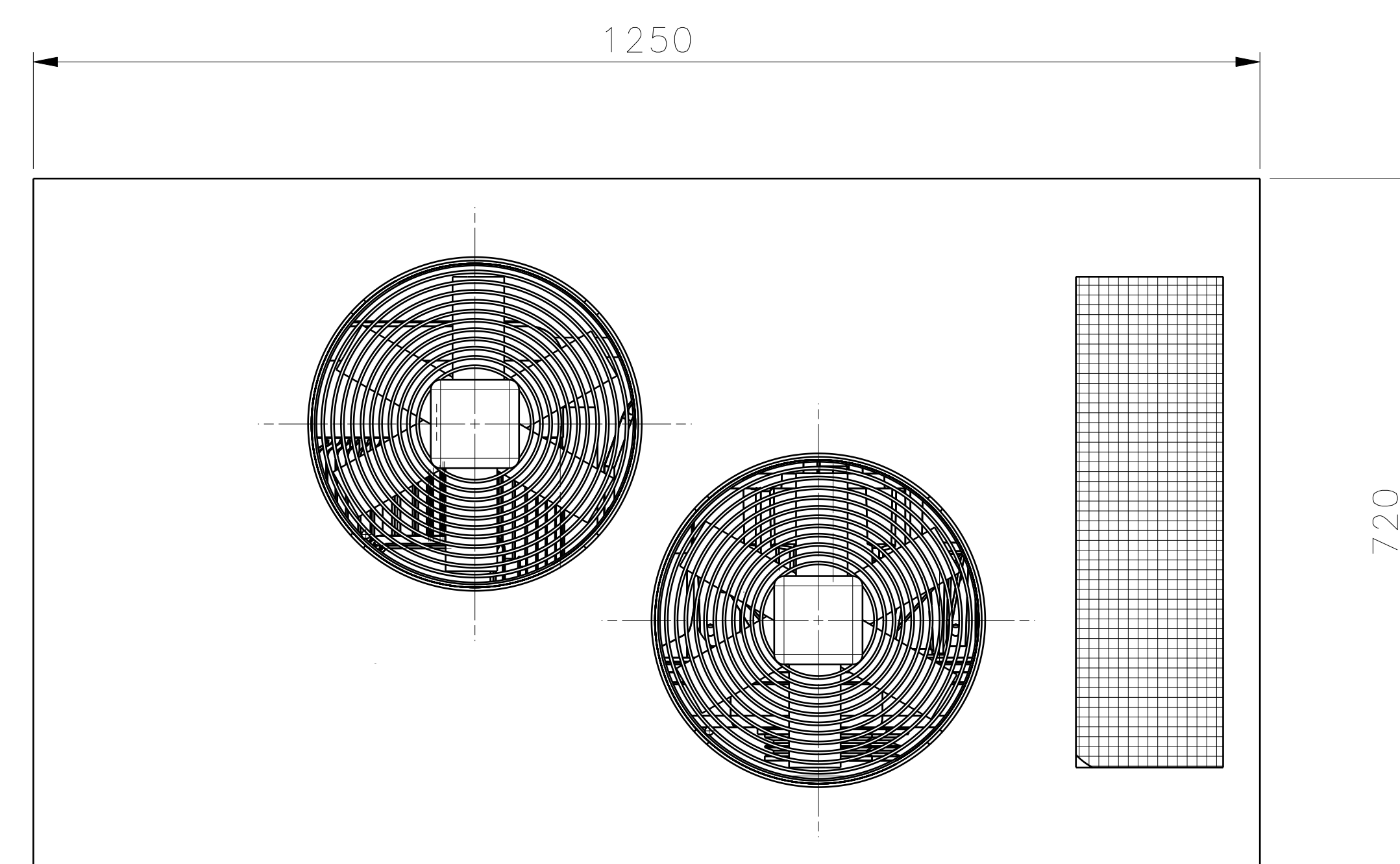
Front view
Scale: 1:5



Left view
Scale: 1:5



Rear view
Scale: 1:5



Top view
Scale: 1:5

25.05.2021

ITEM NO.	QTY REQD	CODE IDENT	PART OR IDENTIFYING NO	NOMENCLATURE OR DESCRIPTION	MATERIAL	SPECIFICATION	ZONE
LIST OF MATERIALS OR PARTS LIST							
THIS DRAWING IS THE PROPERTY OF ANKARA HAMAK IND. AND IS TRANSMITTED IN CONFIDENCE. NEITHER RECEIPT NOR POSSESSION CONFERS OR TRANSFERS ANY RIGHTS TO REPRODUCE, USE OR DISCLOSE, IN WHOLE OR PART, DATA CONTAINED HEREIN FOR ANY PURPOSE, WITHOUT THE WRITTEN PERMISSION OF ANKARA HAMAK IND.							
UNLESS OTHERWISE SPECIFIED DIMENSIONS ARE IN INCHES TOLERANCES ON				CONTRACT NUMBER			
FRACTIONS		DECIMALS		DATE OF DRAWING			
±	—	.X	± .5	11 JAN 2012			
±	—	.XX	± .25	DRAFTSMAN		CHECKER	
±	—	.XXX	±	V. SAKAL		I. KARAHAN	
ENGINEER				FUNCTIONAL DESIGN			
I. URKUT				CODE IDENT NO.			
MANUFACTURING				WELDING			
VORTEX COMPRESSOR				APPROVED R. ÖKÇÜN			
NEXT ASSY		USED ON		SIZE		DRAWING NO.	
APPLICATION				A0		WK-0220-9000	
				SCALE		UNIT WT 760 kg LB SHEET OF	

THIS DRAWING ONLY FOR REFERENCE

SCROLL COMPRESSOR
VOFS 4 X 5,5 - 22 KW