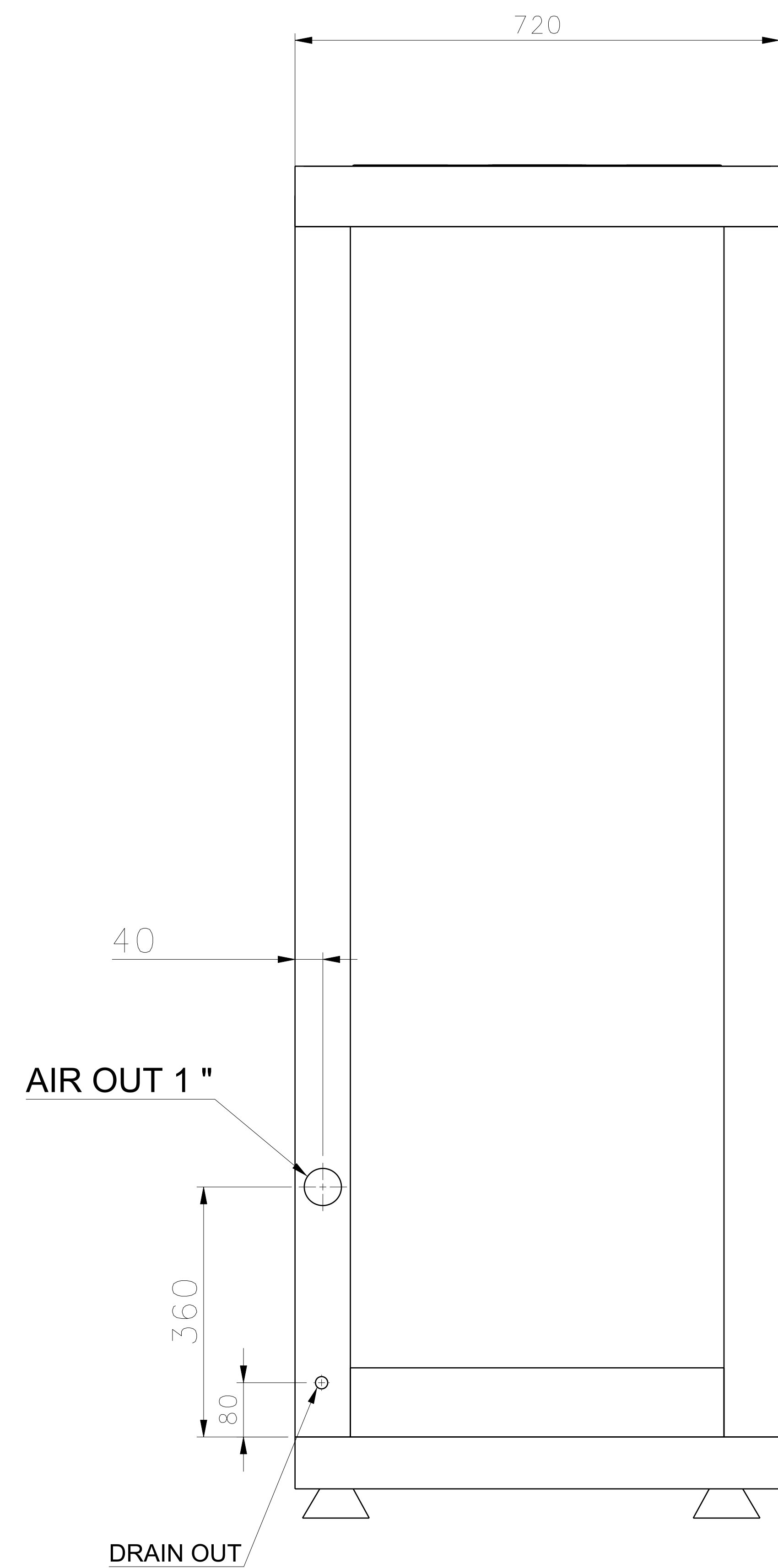
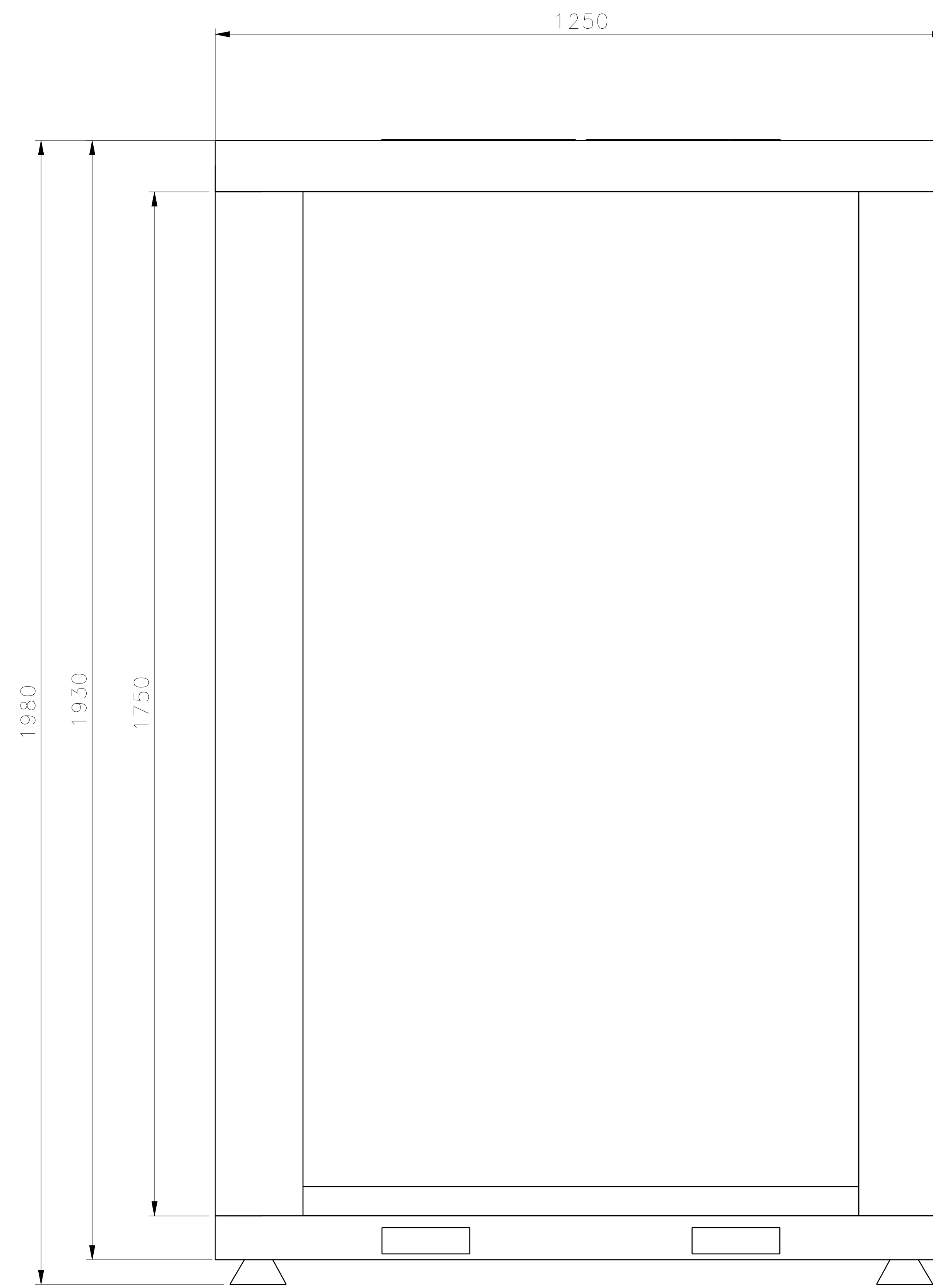


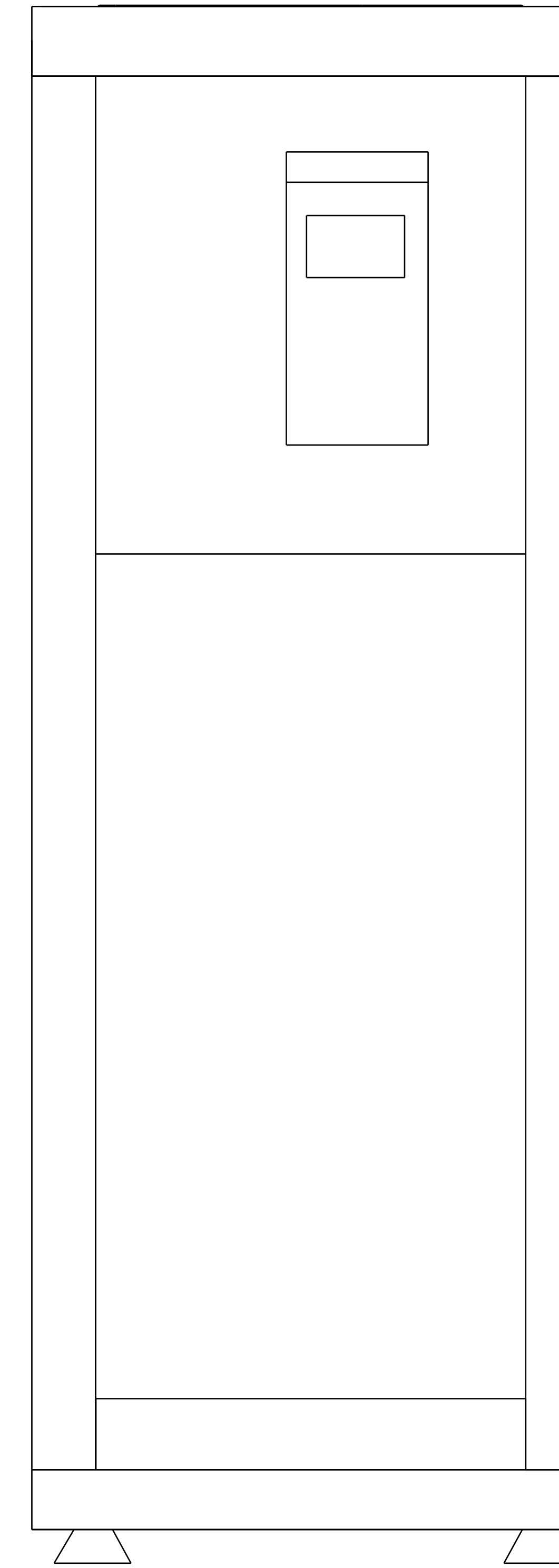
REV	DATE	DESCRIPTION	DRW	APPR
A	02.05.17	30 KW ACCORDING A NEW UNIT	VS	RO
B	04.10.18	CHANGE LENGT	VS	RO



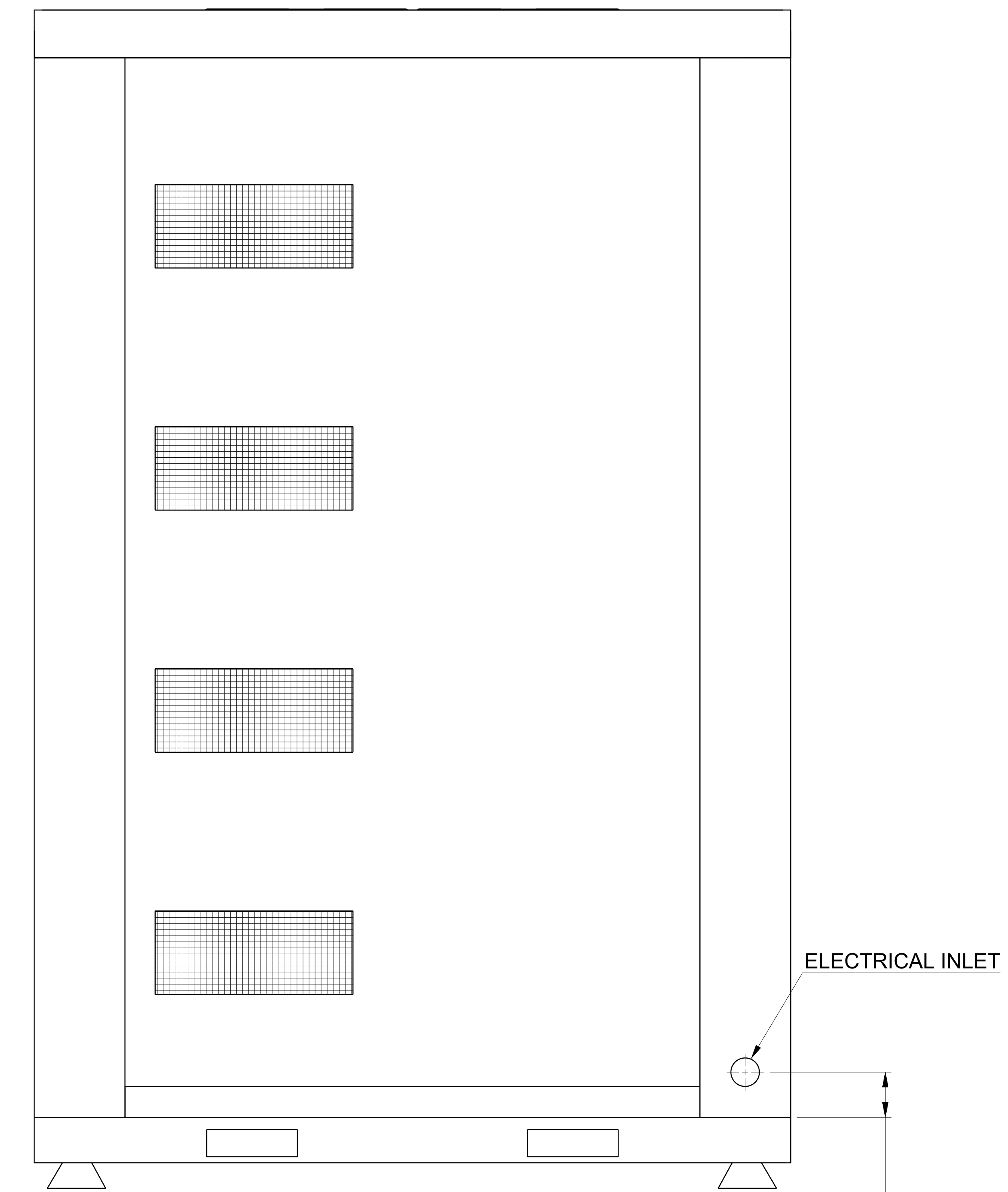
Right view
Scale: 1:5



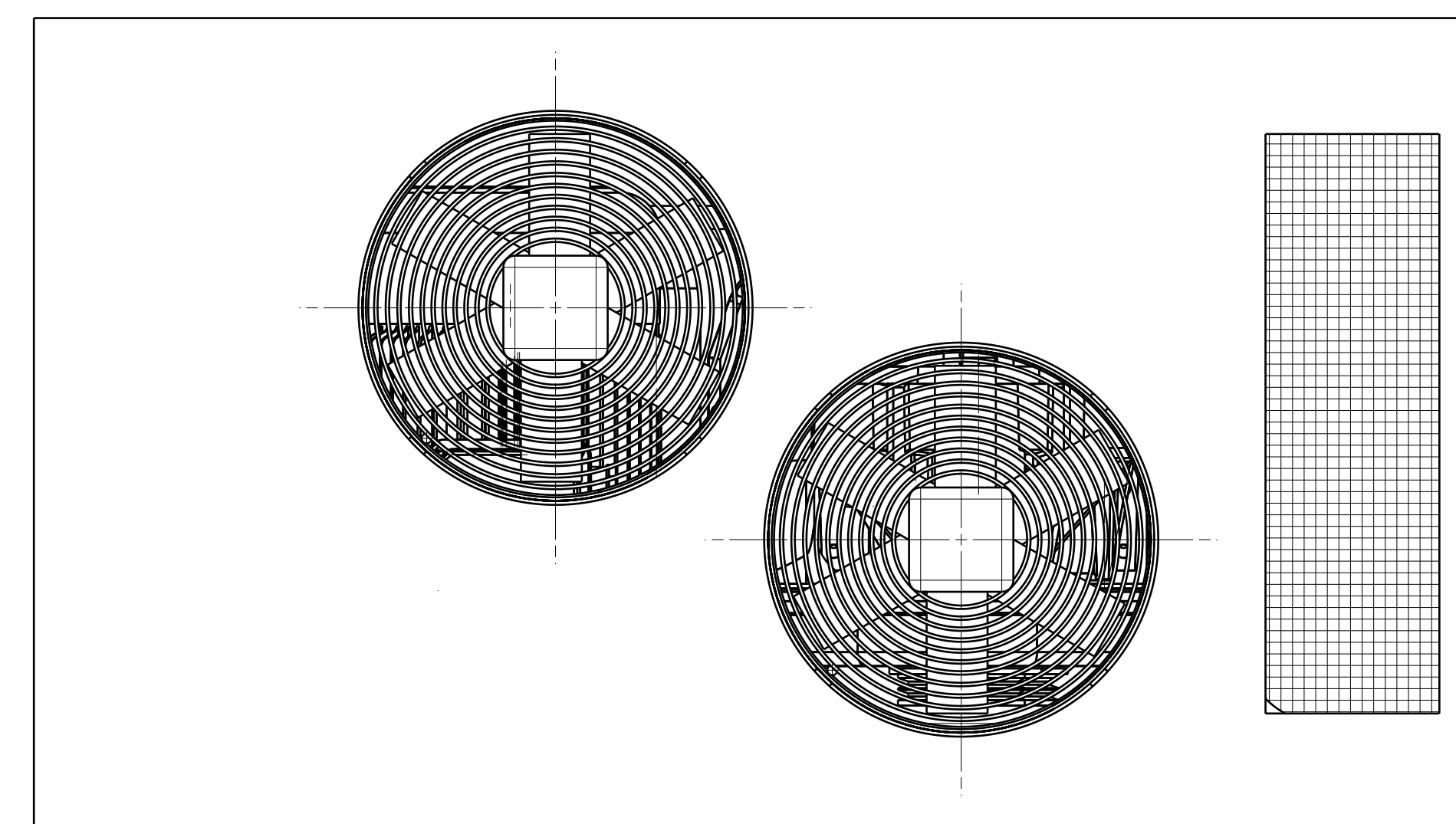
Front view
Scale: 1:5



Left view
Scale: 1:5



Rear view
Scale: 1:5



Top view
Scale: 1:5

25.05.2021

ITEM NO.	QTY	CODE	IDENT	PART OR IDENTIFYING NO.	NOMENCLATURE OR DESCRIPTION	MATERIAL	SPECIFICATION	ZONE
LIST OF MATERIALS OR PARTS LIST								
THIS DRAWING IS THE PROPERTY OF ANKARA HAMAK IND. AND IS TRANSMITTED IN CONFIDENCE. NEITHER RECEIPT NOR POSSESSION CONFERS OR TRANSFERS ANY RIGHT TO REPRODUCE, USE OR DISCLOSE, IN WHOLE OR PART, DATA CONTAINED HEREIN FOR ANY PURPOSE, WITHOUT THE WRITTEN PERMISSION OF ANKARA HAMAK IND.								
UNLESS OTHERWISE SPECIFIED DIMENSIONS ARE IN INCHES TOLERANCES ON					CONTRACT NUMBER			
FRACTIONS		DECIMALS		DATE OF DRAWING				
±	—	.X	±	04 OCT 2018				
±	—	.XX	±	DRAFTSMAN		CHECKER		
±	—	.XXX	±	V. SAKAL		I. KARAHAN		
				ENGINEER		FUNCTIONAL DESIGN		
				I. URKUT				
				MANUFACTURING		WELDING		
				APPROVED		R. OKÇON		
NEXT ASSY		USED ON		APPROVED		SCALE		
APPLICATION				R. OKÇON		UNIT WT		
						LB SHEET OF		

SCROLL COMPRESSOR
VOFS 4X7,5 - 30 KW



CODE IDENT NO.
A0 WK-0300-9000

THIS DRAWING ONLY FOR REFERENCE